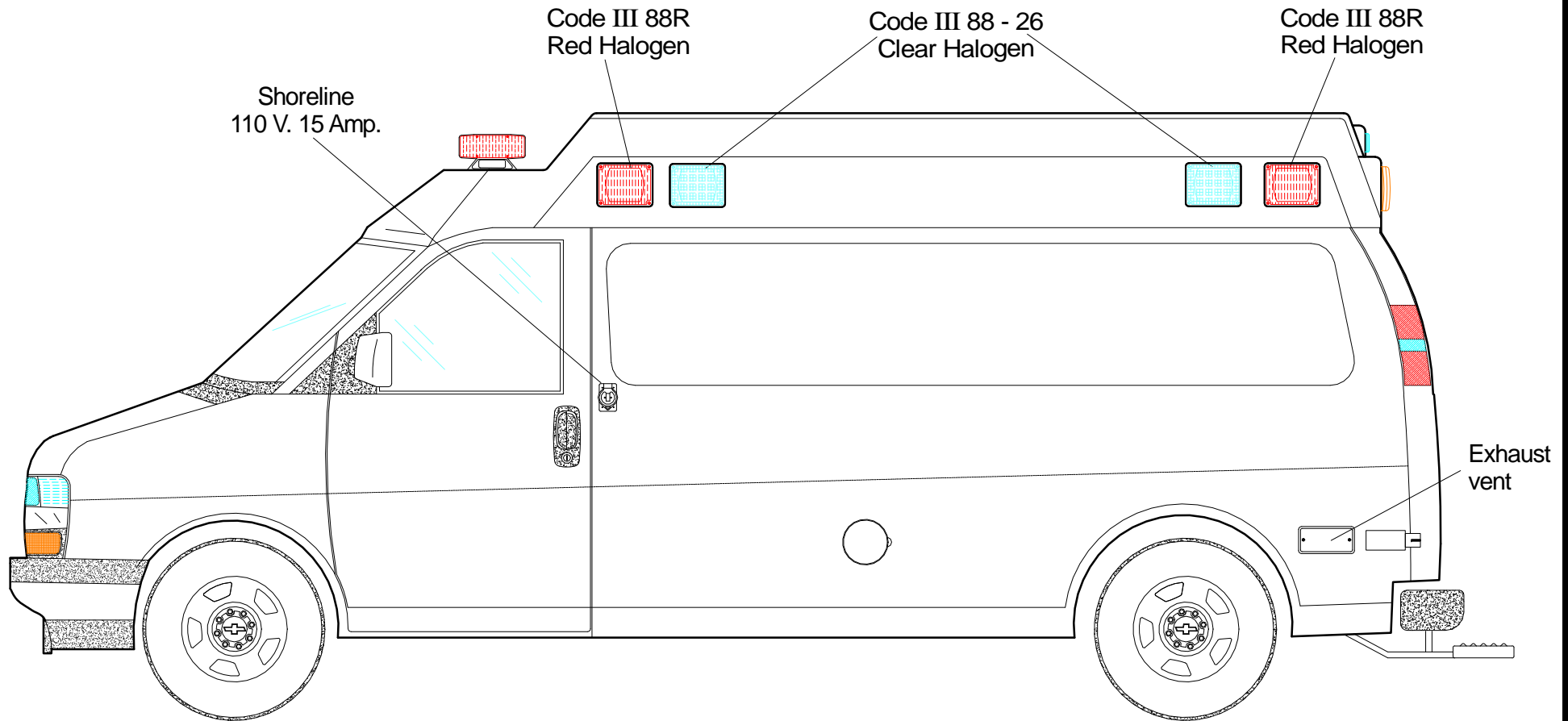
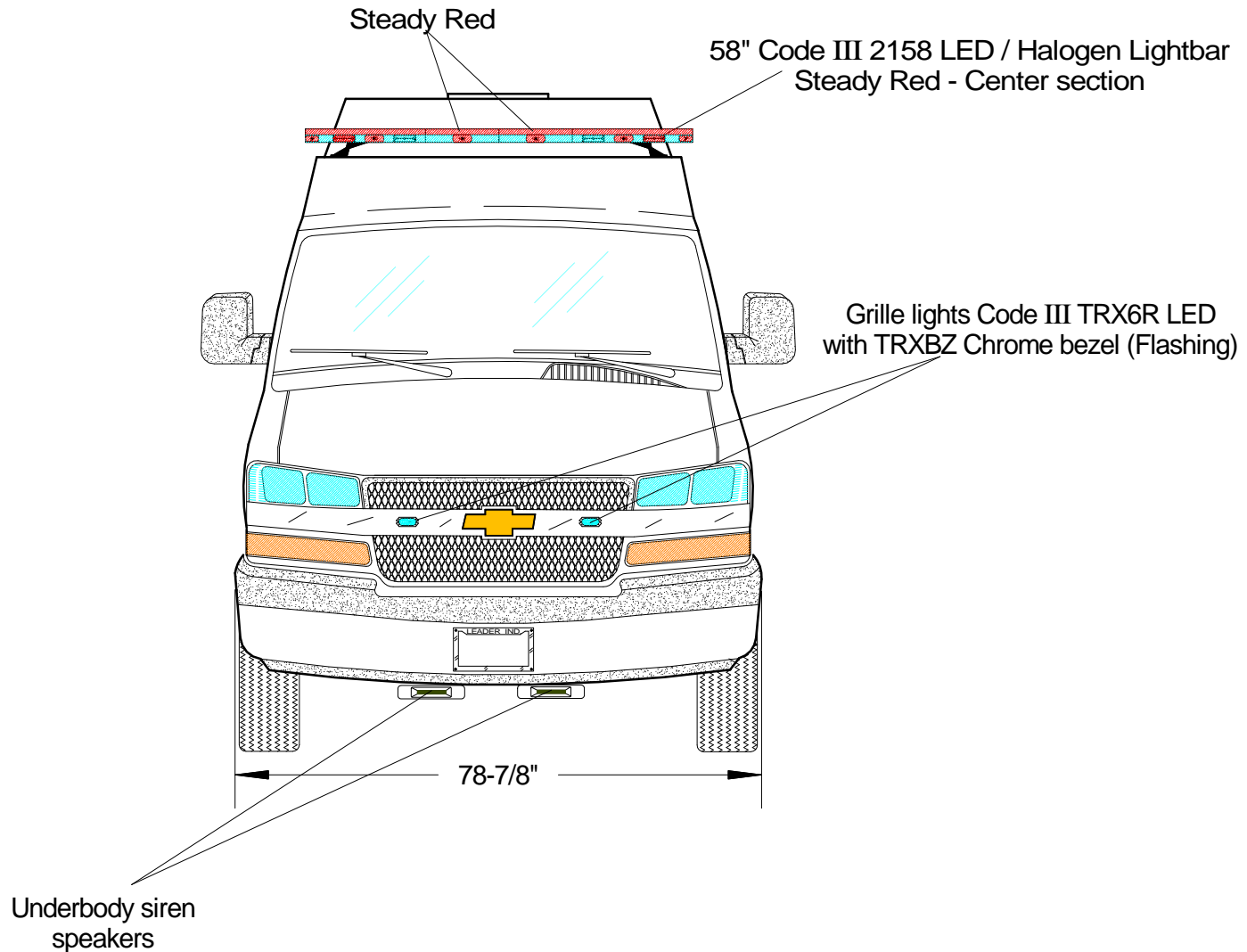


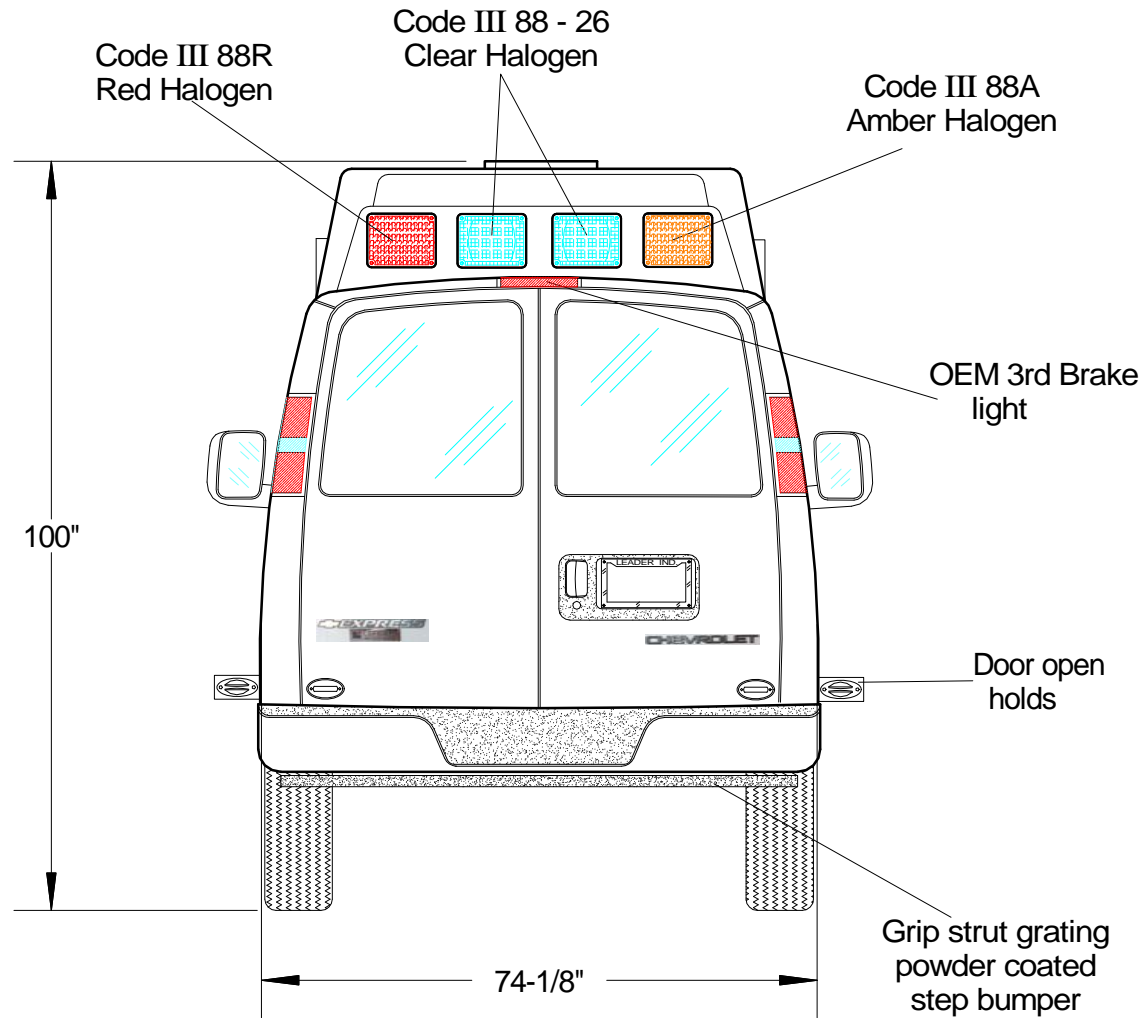
Note: All dimensions are approximate and subject to change.



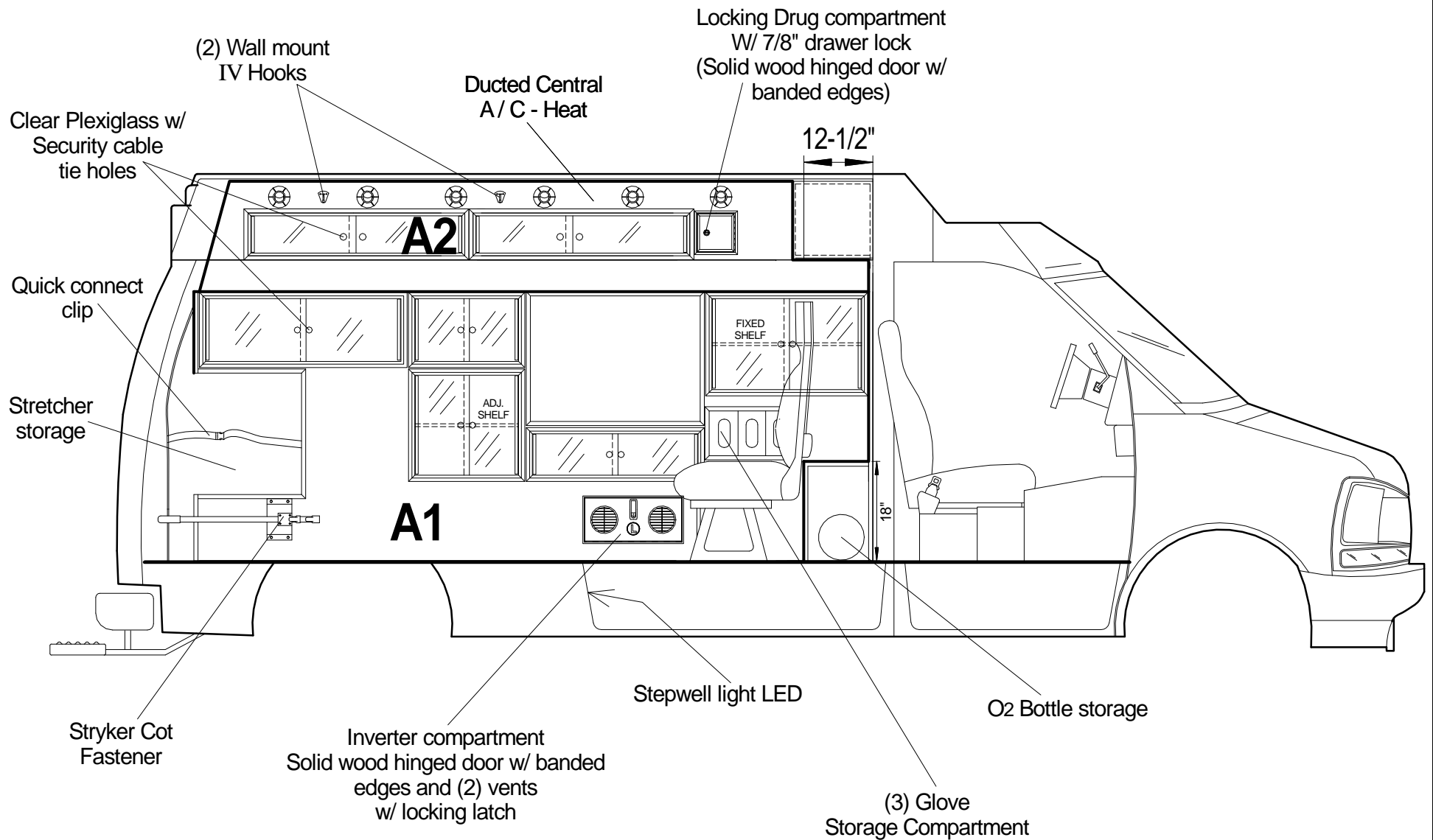
Note: All dimensions are approximate and subject to change.



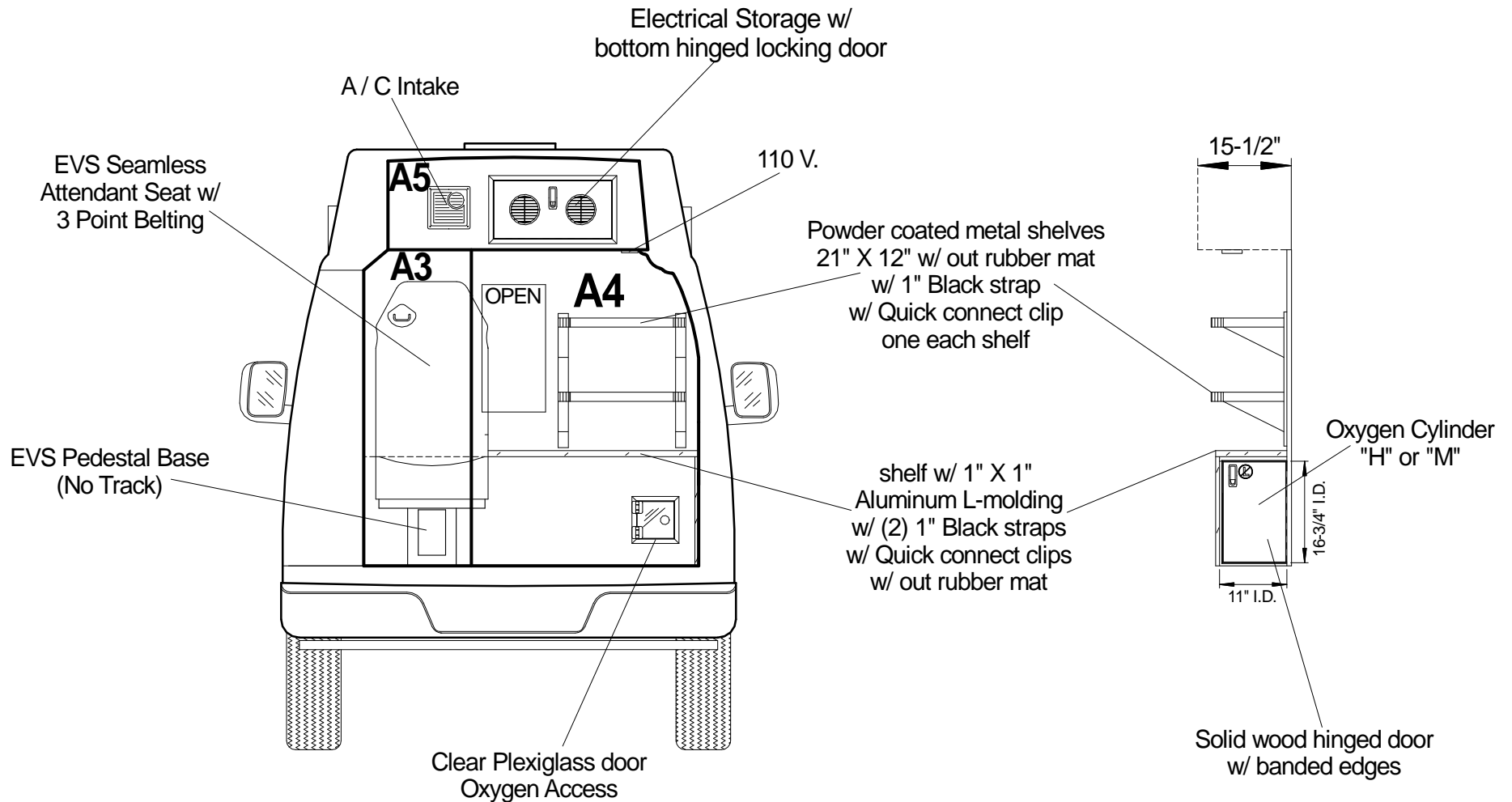
Note: All dimensions are approximate and subject to change.



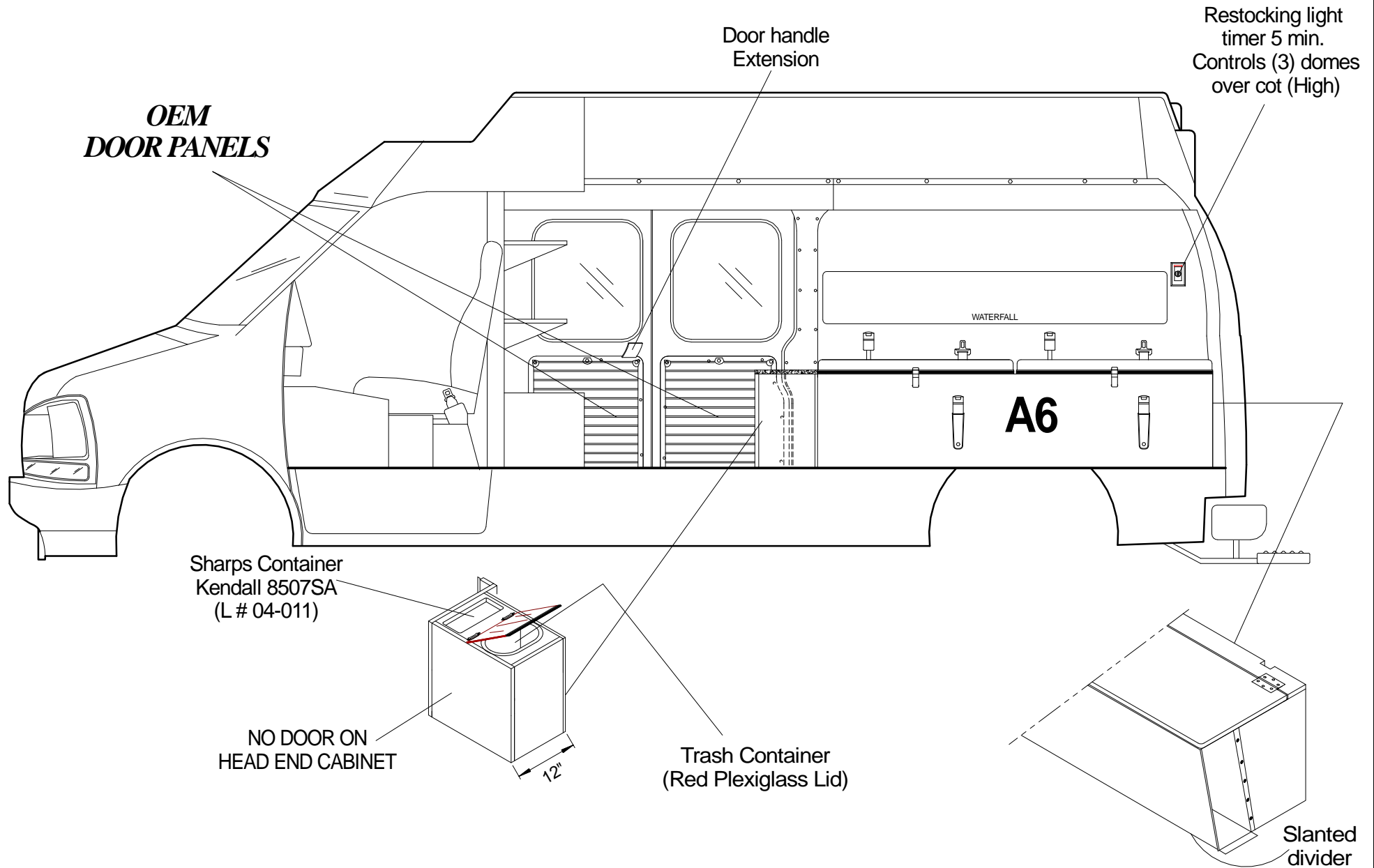
Note: All dimensions are approximate and subject to change.



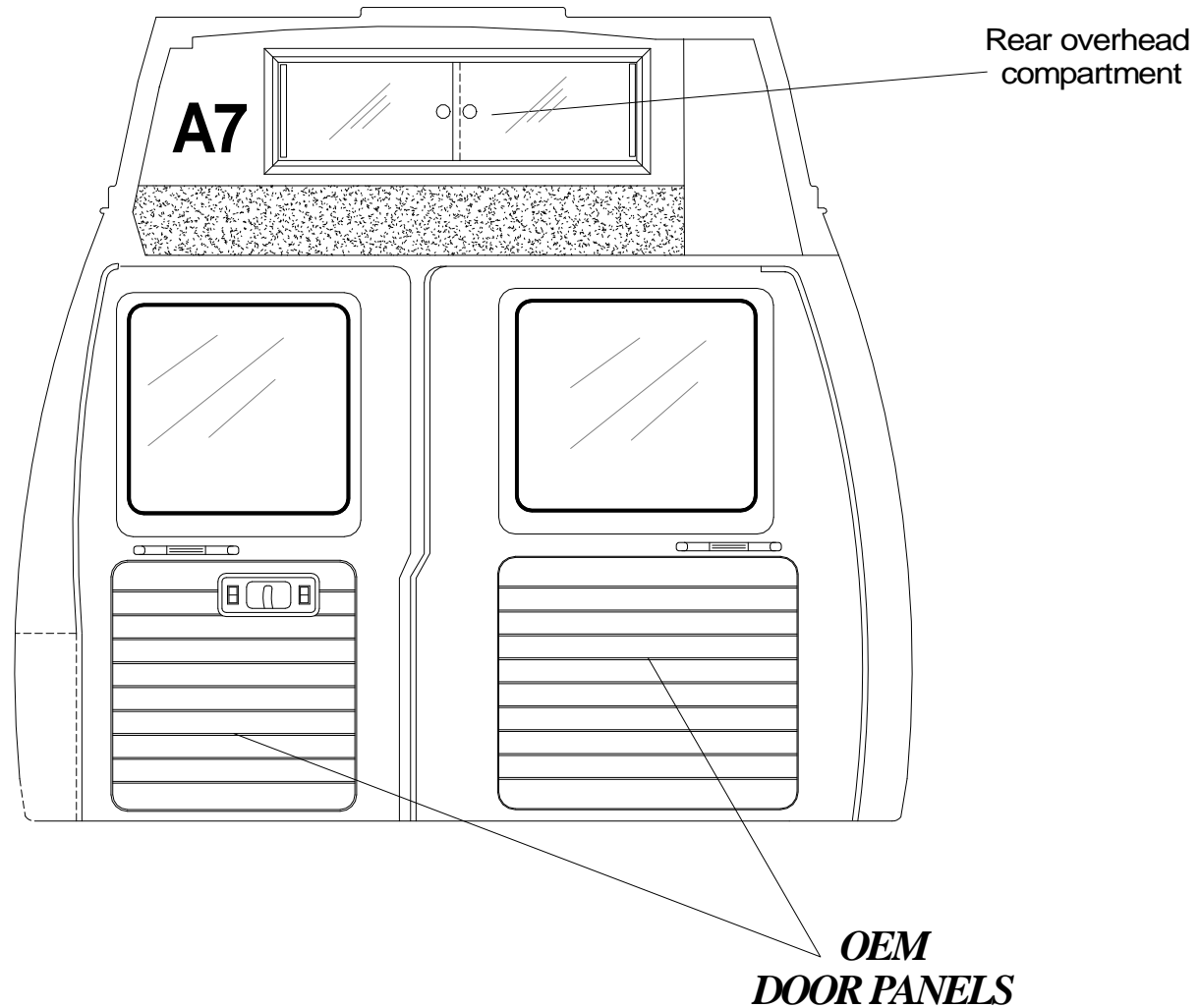
Note: All dimensions are approximate and subject to change.



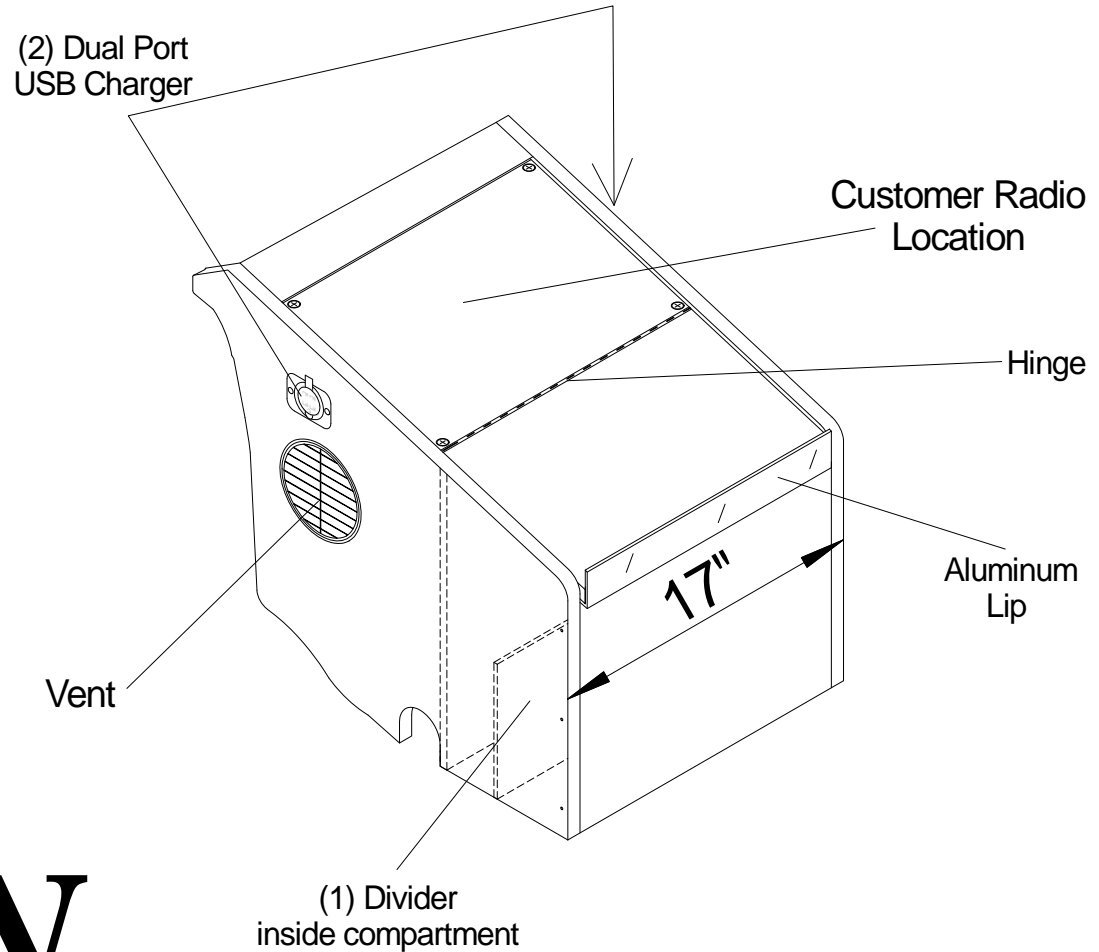
Note: All dimensions are approximate and subject to change.



Note: All dimensions are approximate and subject to change.

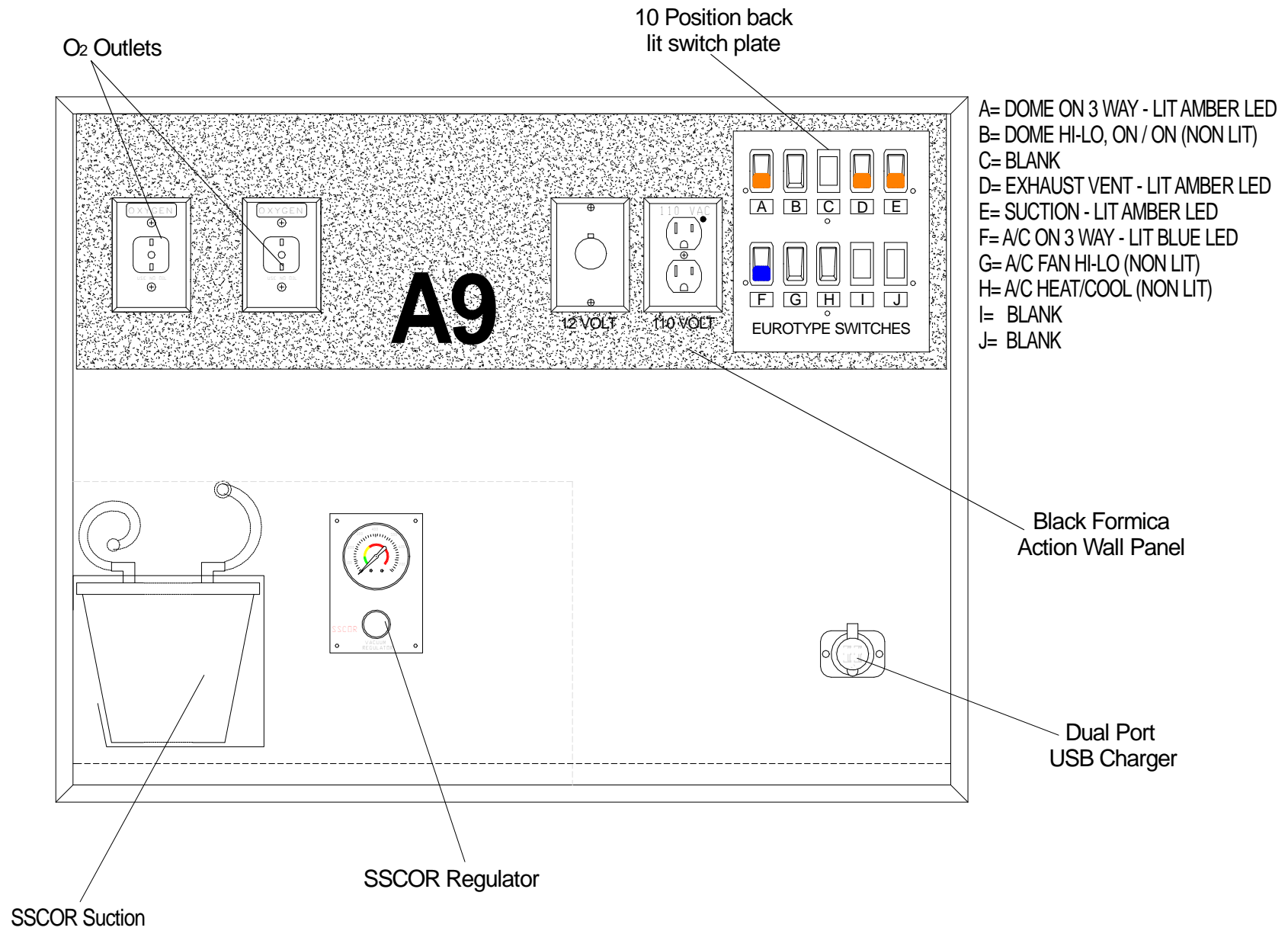


Note: All dimensions are approximate and subject to change.



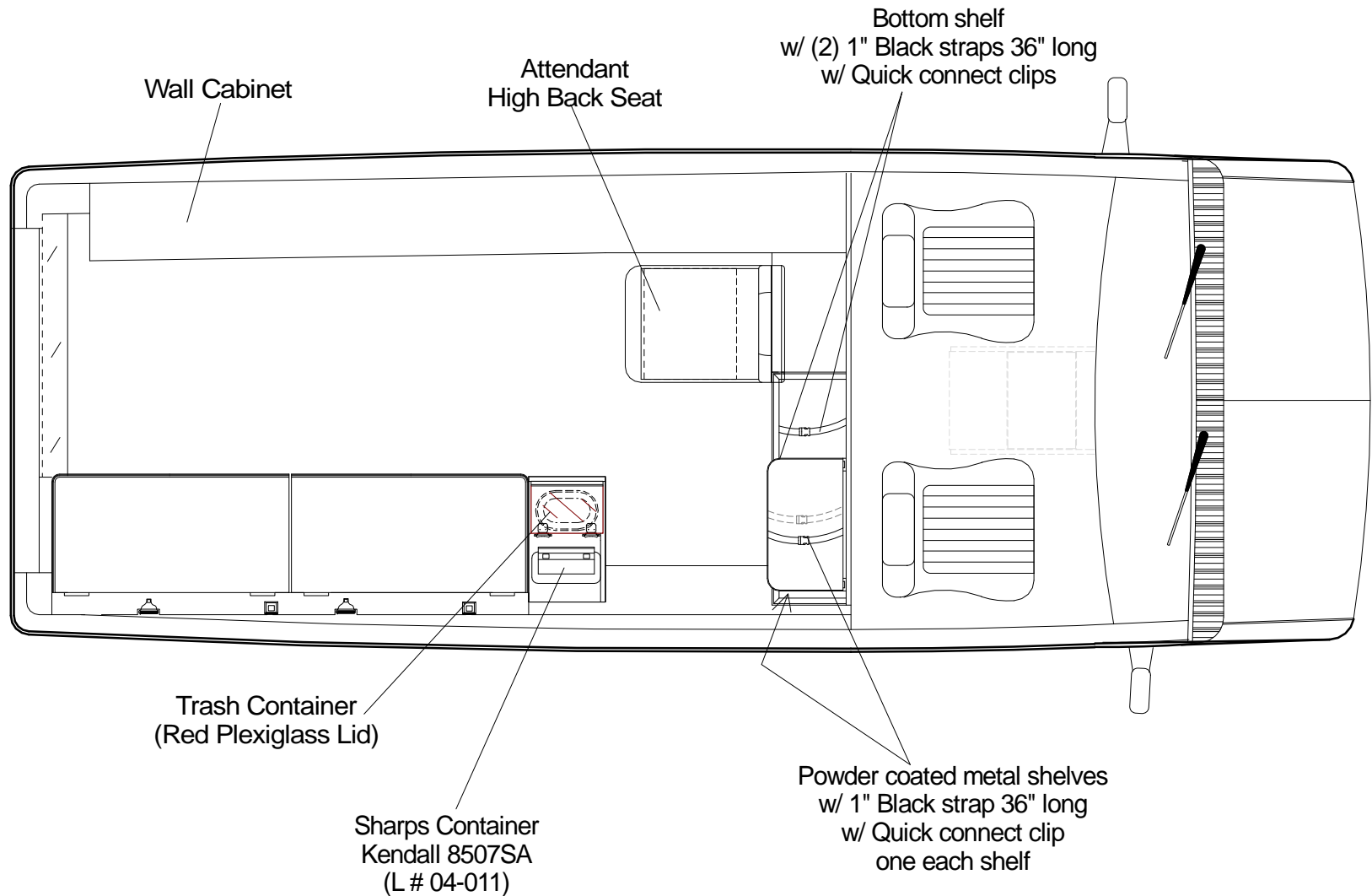
OPTION

Note: All dimensions are approximate and subject to change.



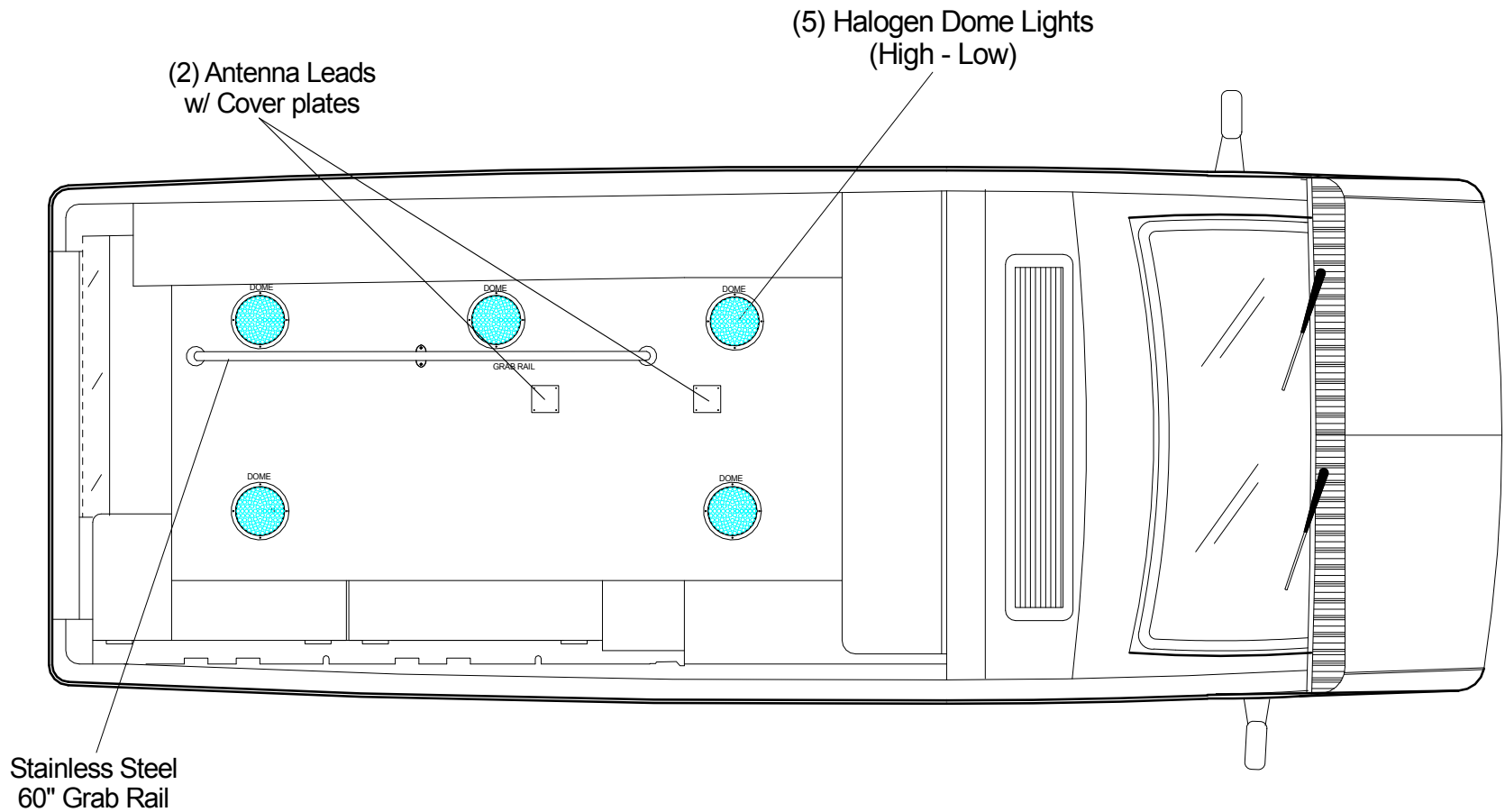
- A= DOME ON 3 WAY - LIT AMBER LED
- B= DOME HI-LO, ON / ON (NON LIT)
- C= BLANK
- D= EXHAUST VENT - LIT AMBER LED
- E= SUCTION - LIT AMBER LED
- F= A/C ON 3 WAY - LIT BLUE LED
- G= A/C FAN HI-LO (NON LIT)
- H= A/C HEAT/COOL (NON LIT)
- I= BLANK
- J= BLANK

Note: All dimensions are approximate and subject to change.



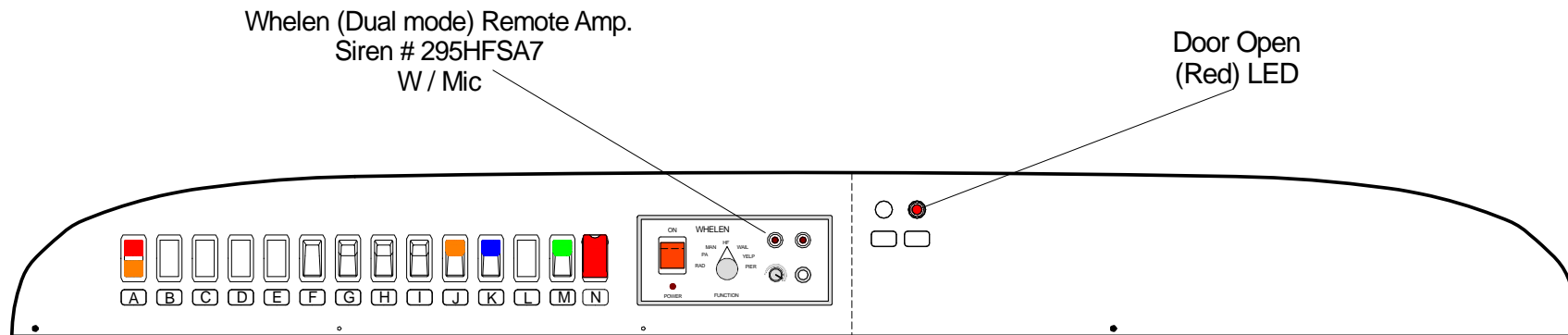
Note: All dimensions are approximate and subject to change.

NO CEILING IV HOOKS



Note: All dimensions are approximate and subject to change.

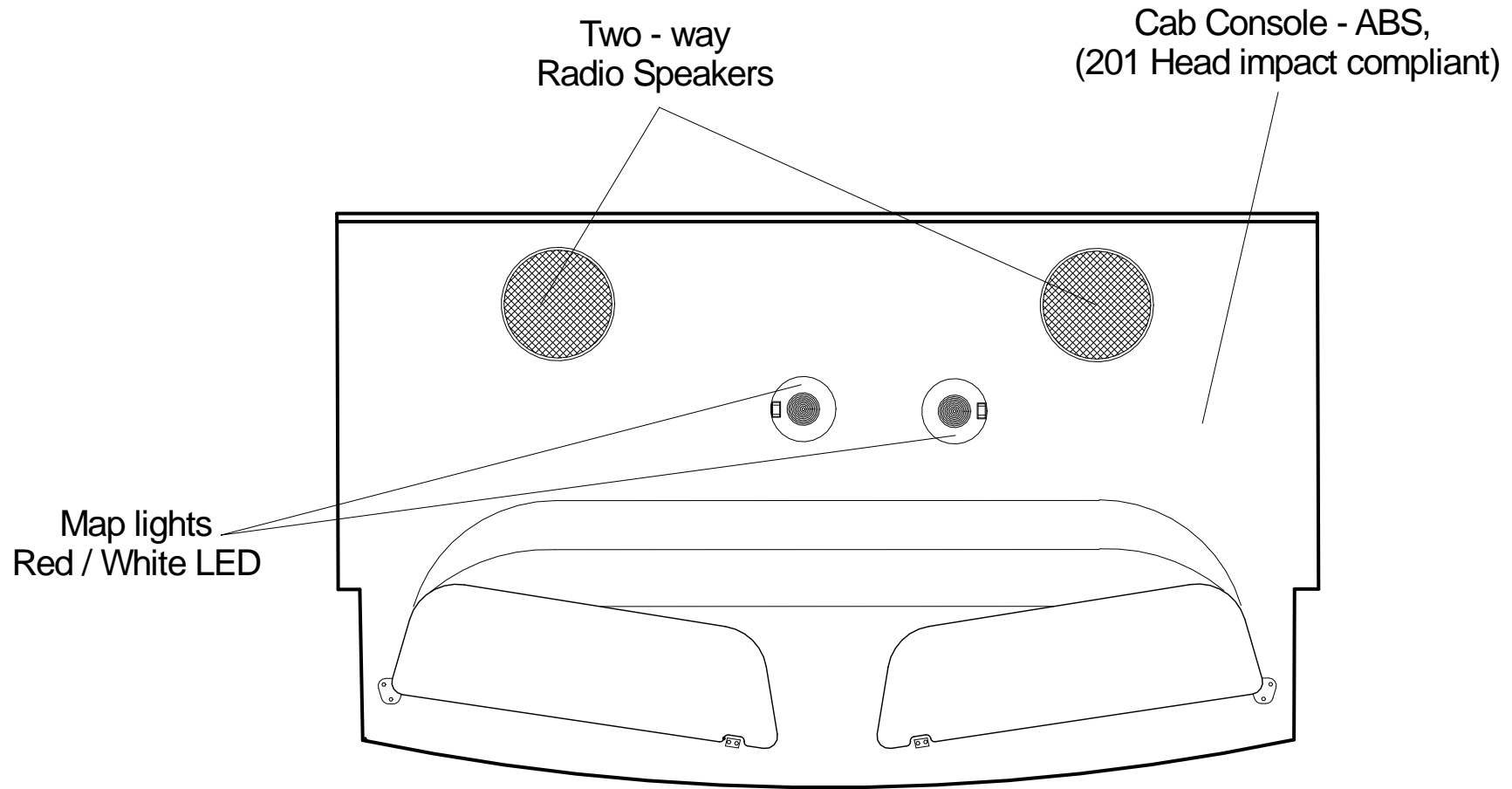
- A-PRI-SEC RED AMBER,ON-OFF-ON - LIT RED/AMBER LED
(PRI) ALL EMERGENCY LIGHTS INCLUDING REAR.
(SEC) REAR AMBER / RED HALOGEN ONLY.
- B-BLANK
- C-BLANK
- D-BLANK
- E-BLANK
- F-BACK UP ALARM-RESET TYPE-MOMENTARY ON (NON LIT)
- G-LEFT SCENE - LIT WHITE LED
- H-REAR SCENE - LIT WHITE LED
- I -RIGHT SCENE - LIT WHITE LED
- J- 3 WAY PATIENT DOME, ON-ON - LIT AMBER LED
- K- 3 WAY PATIENT A/C, ON-ON - LIT BLUE LED
- L- BLANK.
- M- MOD. DISCONNECT - LIT GREEN LED
- N- BLANK



Whelen (Dual mode) Remote Amp.
Siren # 295HFSA7
W / Mic

Door Open
(Red) LED

Note: All dimensions are approximate and subject to change.



Note: All dimensions are approximate and subject to change.