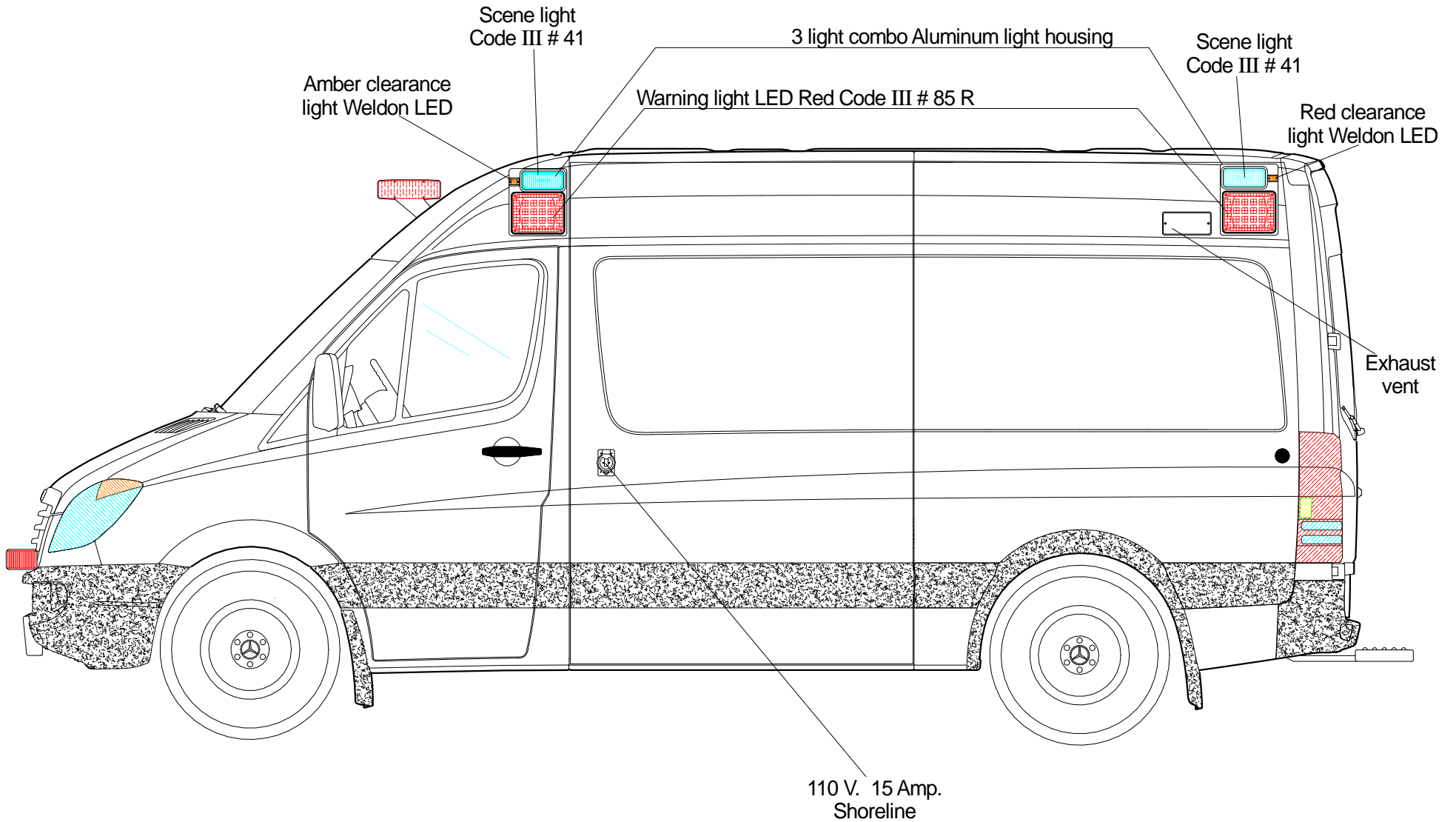
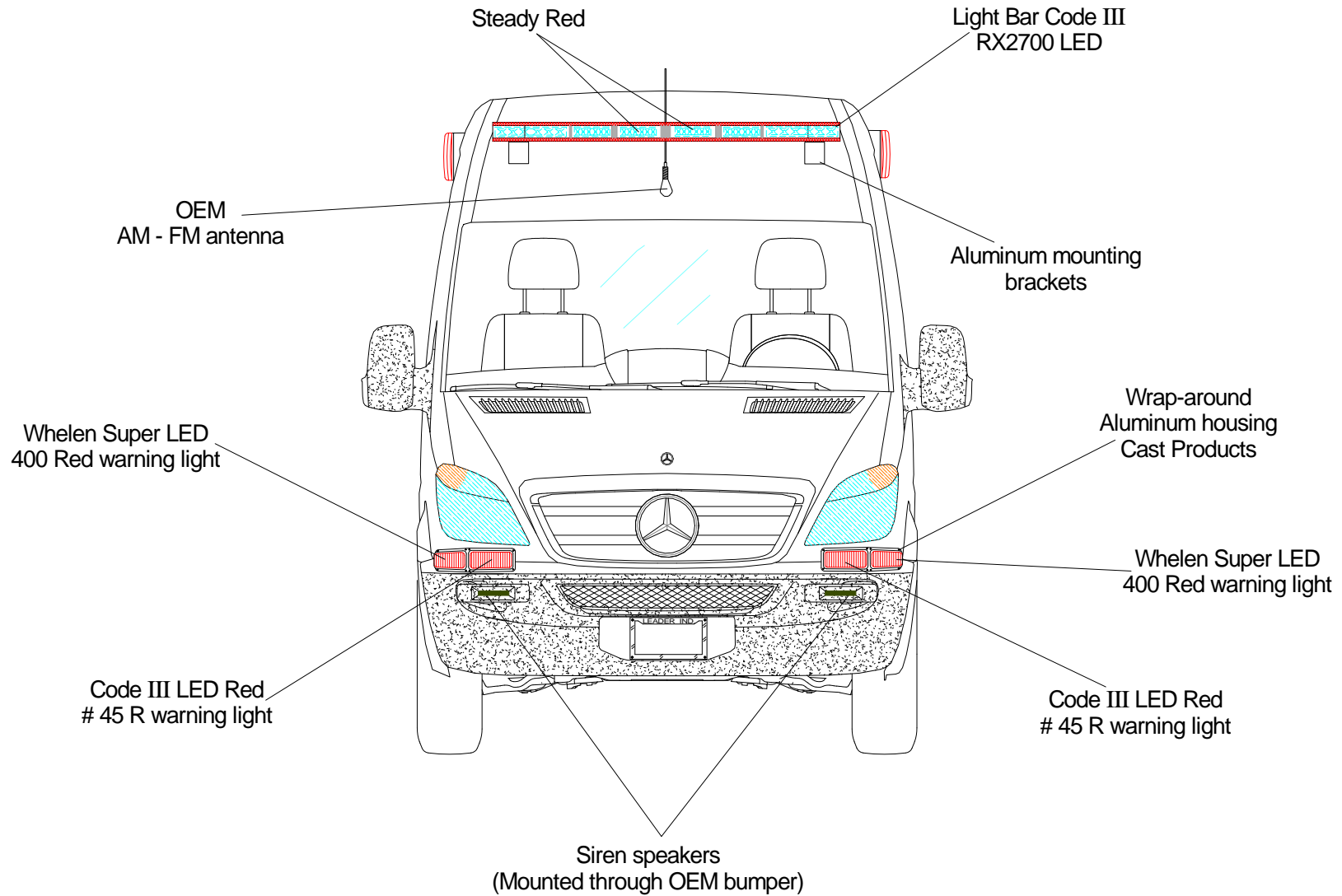


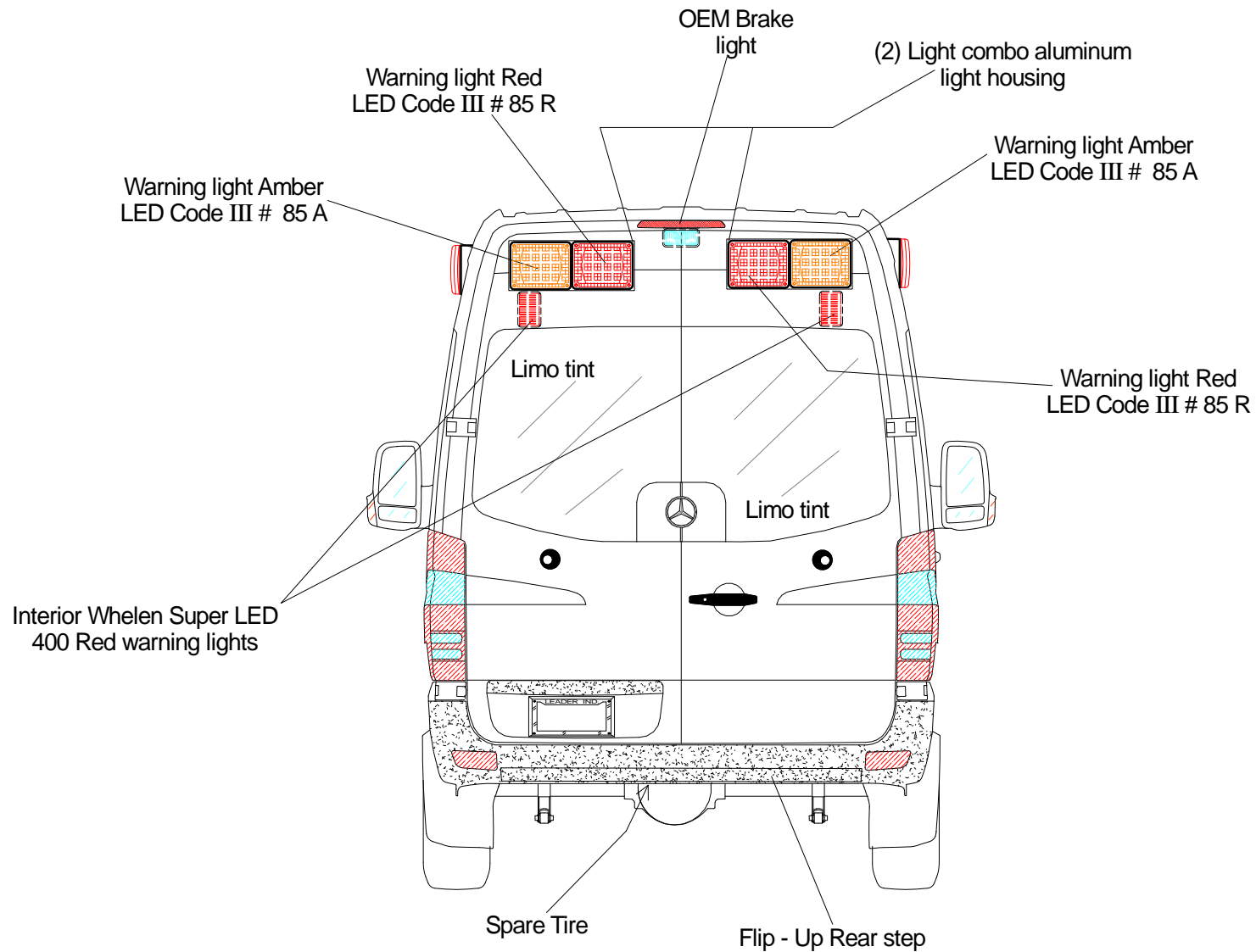
Note: All dimensions are approximate and subject to change.



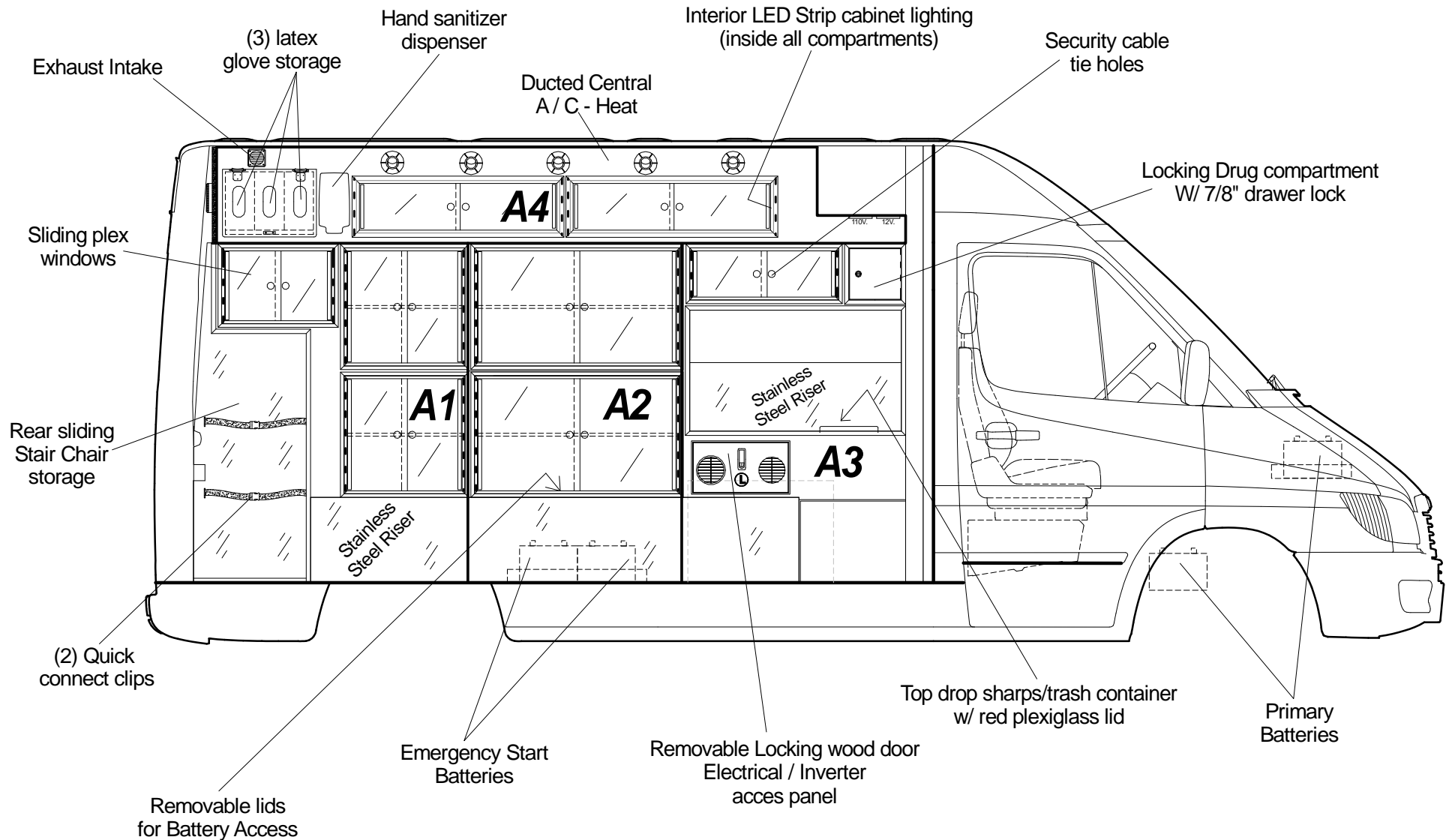
Note: All dimensions are approximate and subject to change.



Note: All dimensions are approximate and subject to change.

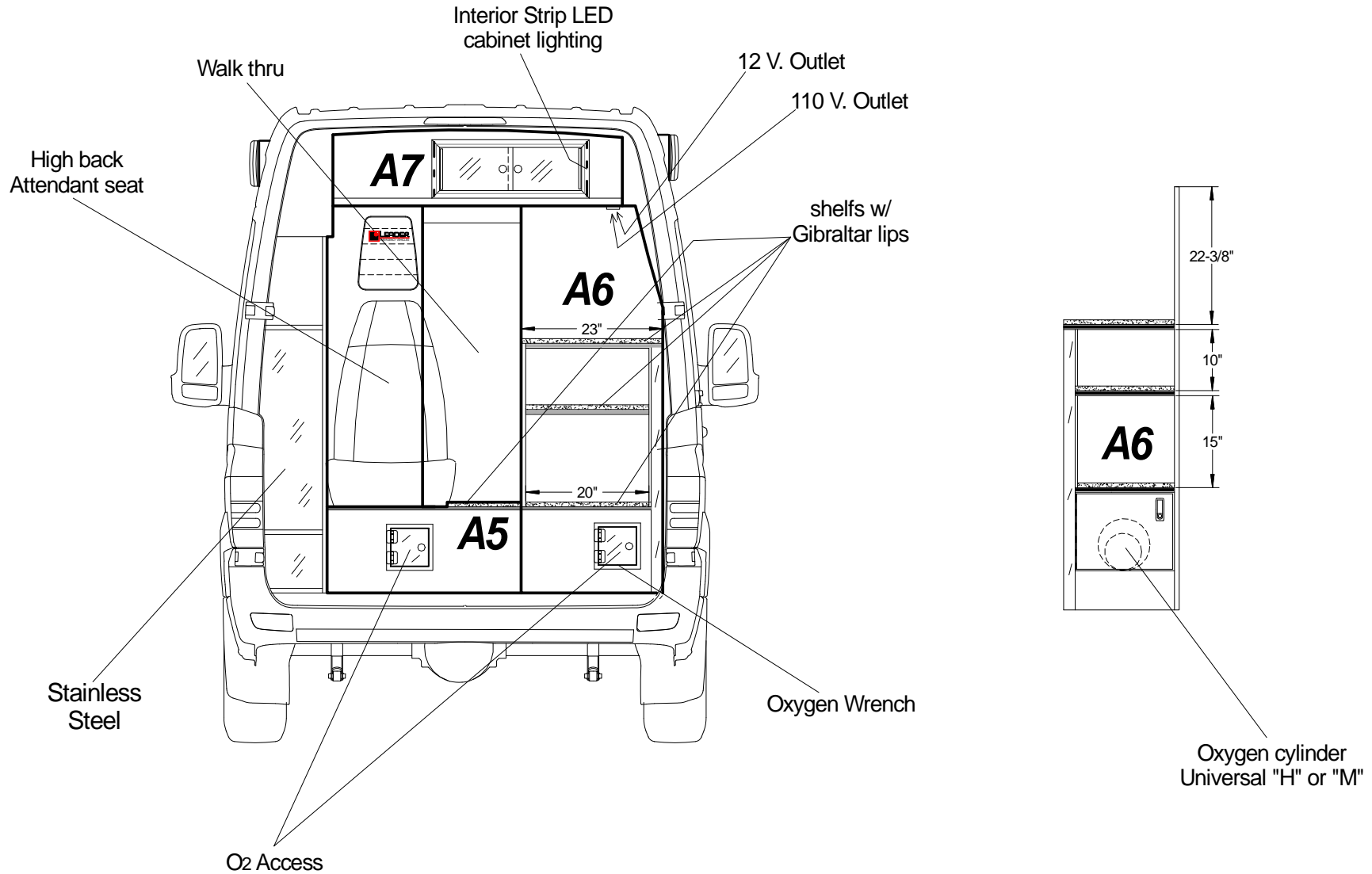


Note: All dimensions are approximate and subject to change.

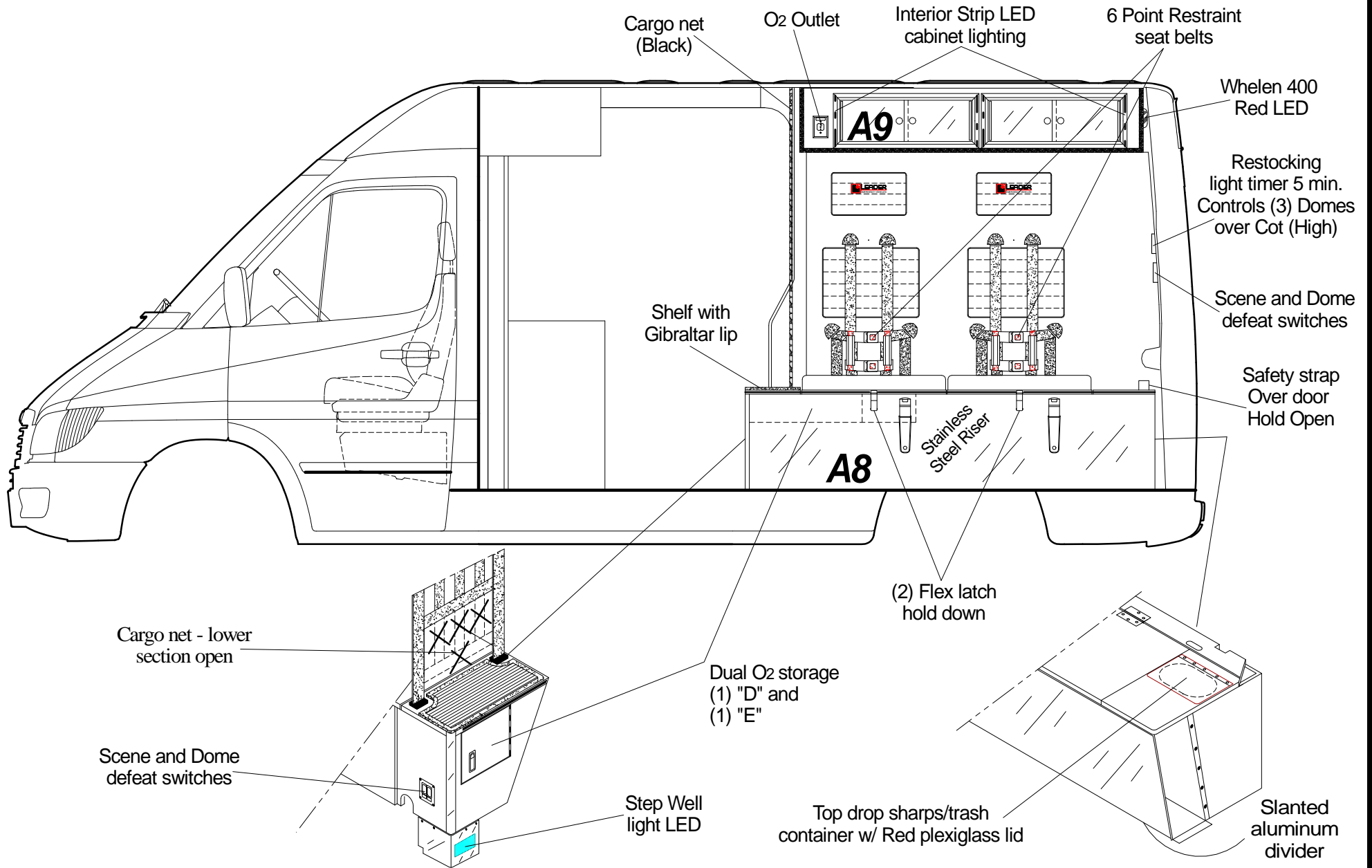


**Patient Compartment Storage, Approx. 45 Cubic Feet (Combined Total)**  
**(Includes all open & enclosed compartments and under squad bench)**  
**(Main oxygen and inverter storage compartments are excluded)**

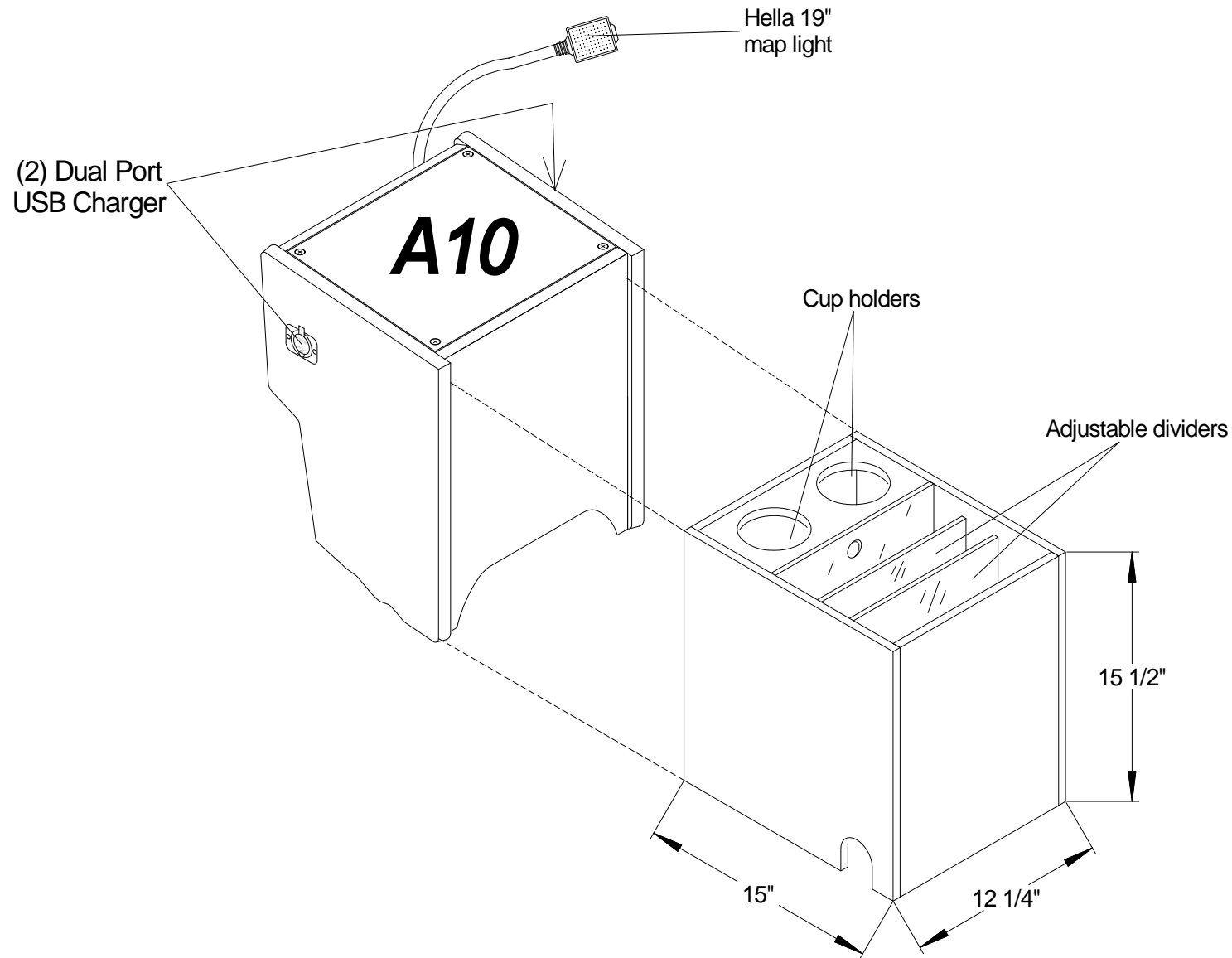
Note: All dimensions are approximate and subject to change.



Note: All dimensions are approximate and subject to change.



Note: All dimensions are approximate and subject to change.

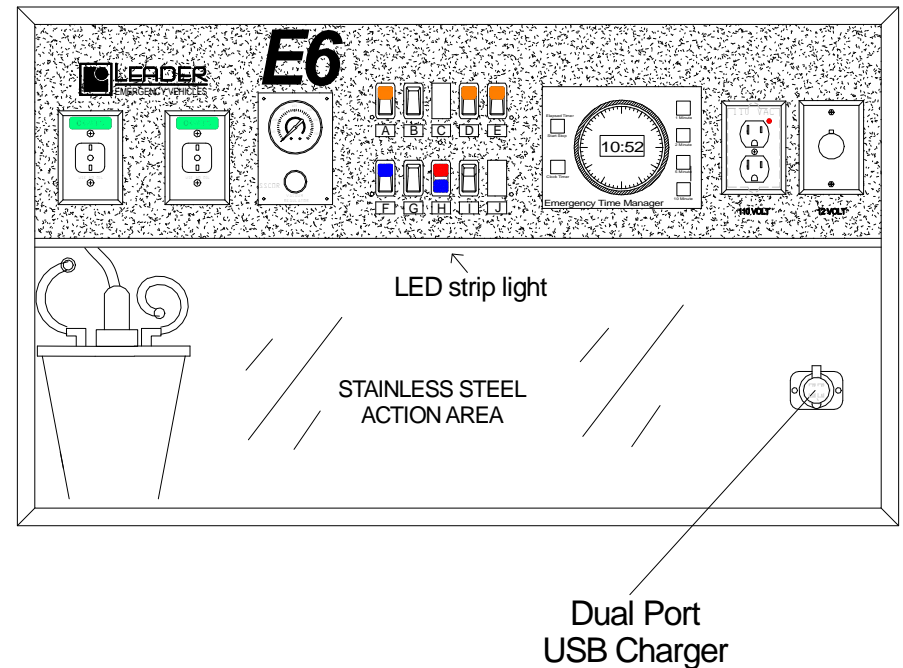
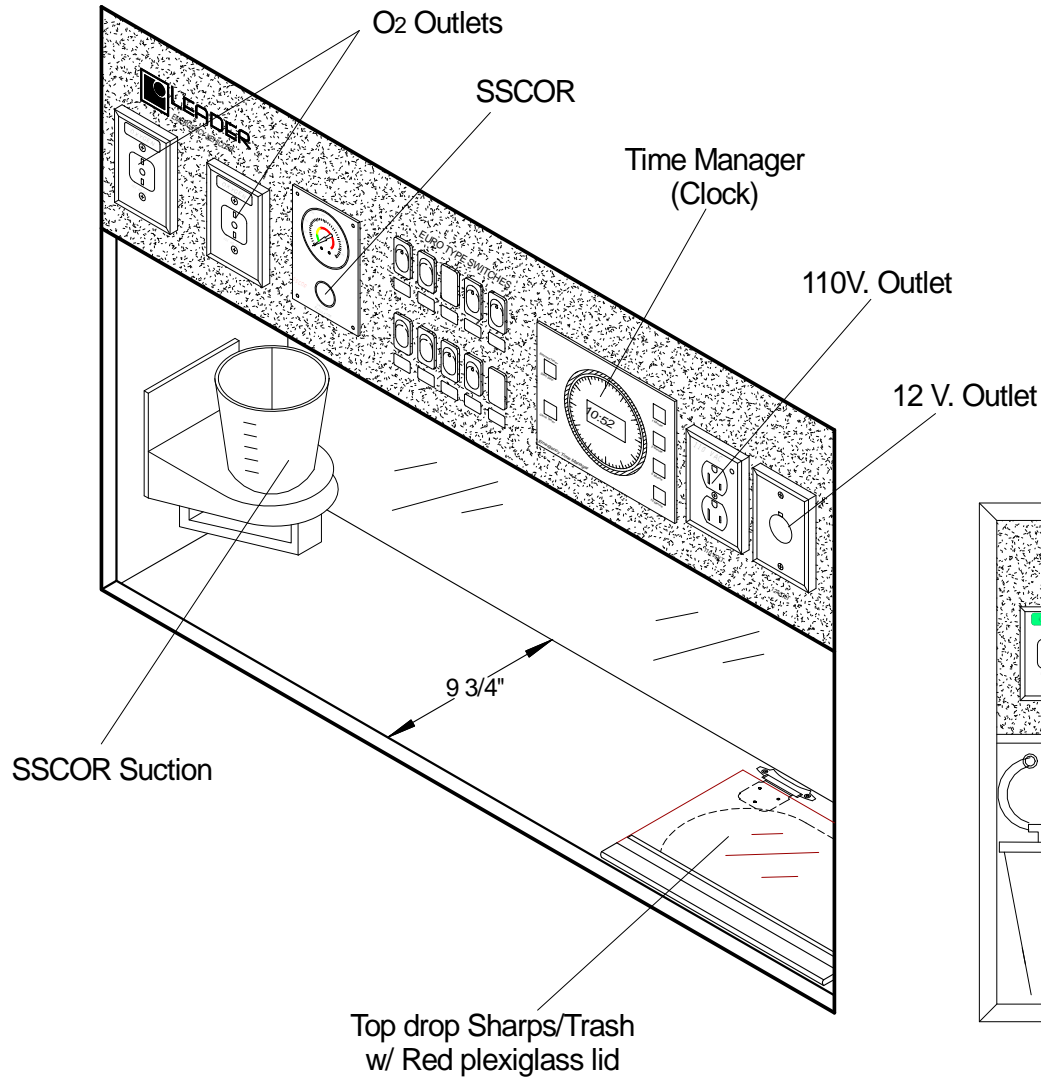


Note: All dimensions are approximate and subject to change.



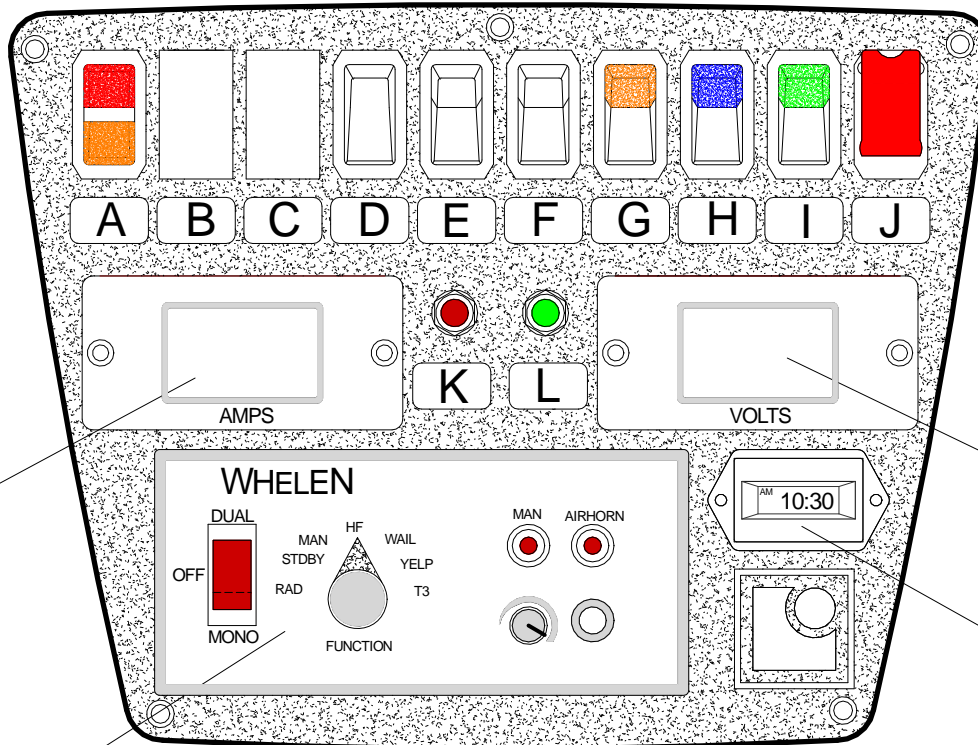
SWITCHES

- A. DOME LIGHT 3 WAY - LIT AMBER LED
- B. DOME HI - LO (NON LIT)
- C. BLANK
- D. EXHAUST VENT - LIT AMBER LED
- E. ELECT. SUCTION - LIT AMBER LED
- F. PATIENT A/C - HEAT 3 WAY - LIT BLUE LED
- G. A/C FAN HI - LO (NON LIT)
- H. HEAT/COOL - LIT RED / BLUE LED
- I. COMPARTMENT LIGHTS - LIT WHITE LED
- J. BLANK



Note: All dimensions are approximate and subject to change.

- A. PRI-SEC - LIT RED / AMBER LED
- B. BLANK
- C. BLANK
- D. BACK UP ALARM - (NON LIT )  
MOMENTARY ON
- E. LEFT SCENE - LIT WHITE LED
- F. RIGHT SCENE - LIT WHITE LED
- G. PATIENT DOME 3 - WAY - LIT AMBER LED
- H. PATIENT A/C HEAT 3 - WAY - LIT BLUE LED
- I. MODULE DISCONNECT - LIT GREEN LED
- J. EMERGENCY START (NON LIT )  
WITH RED SWITCH GAURD
- K. INDICATOR LIGHT - LIT RED LED  
EMERGENCY START
- L. INDICATOR LIGHT - LIT GREEN LED  
MASTER ON



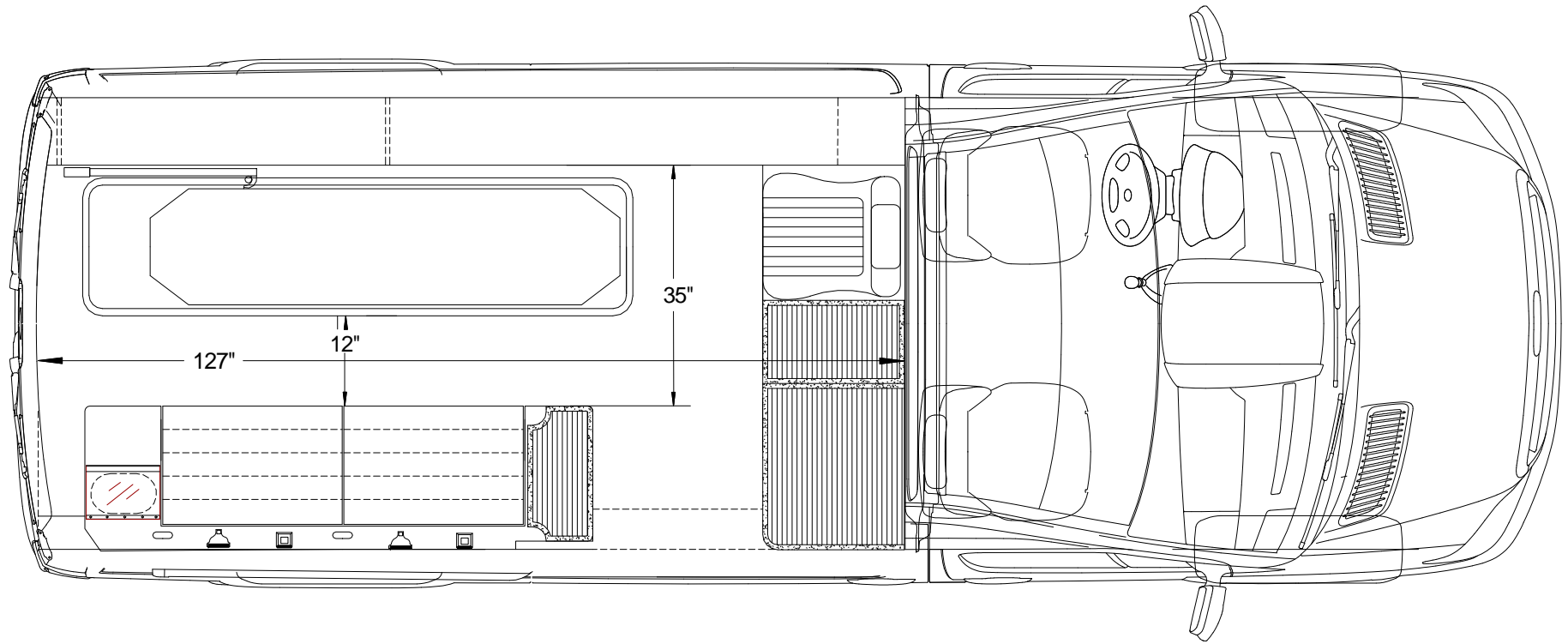
Digital Amp. Meter

Digital Volt Meter

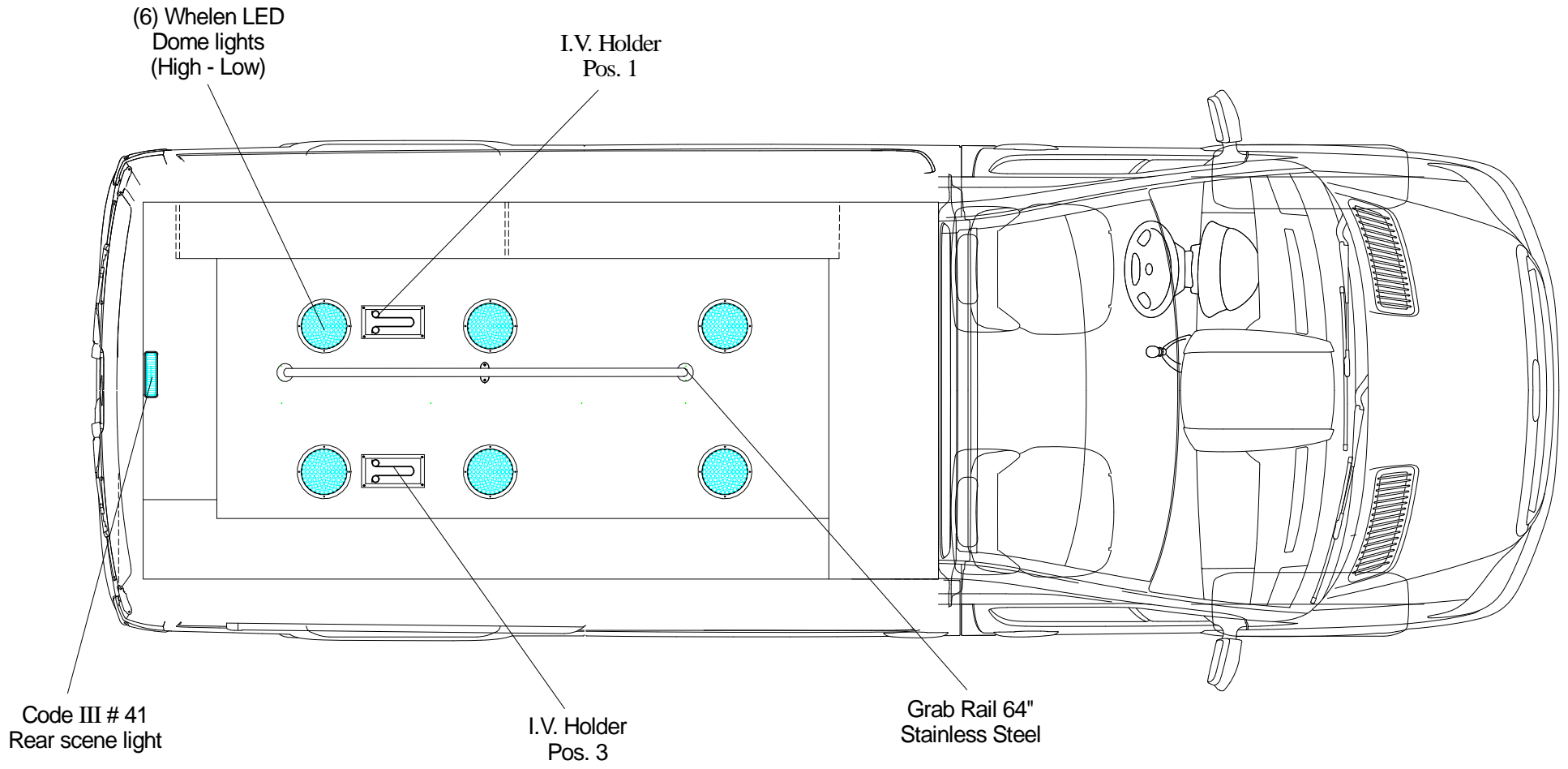
Hour Meter

Whelen (Dual Mode) Remote Amp.  
Siren # 295HFSA7 (W / Mic)

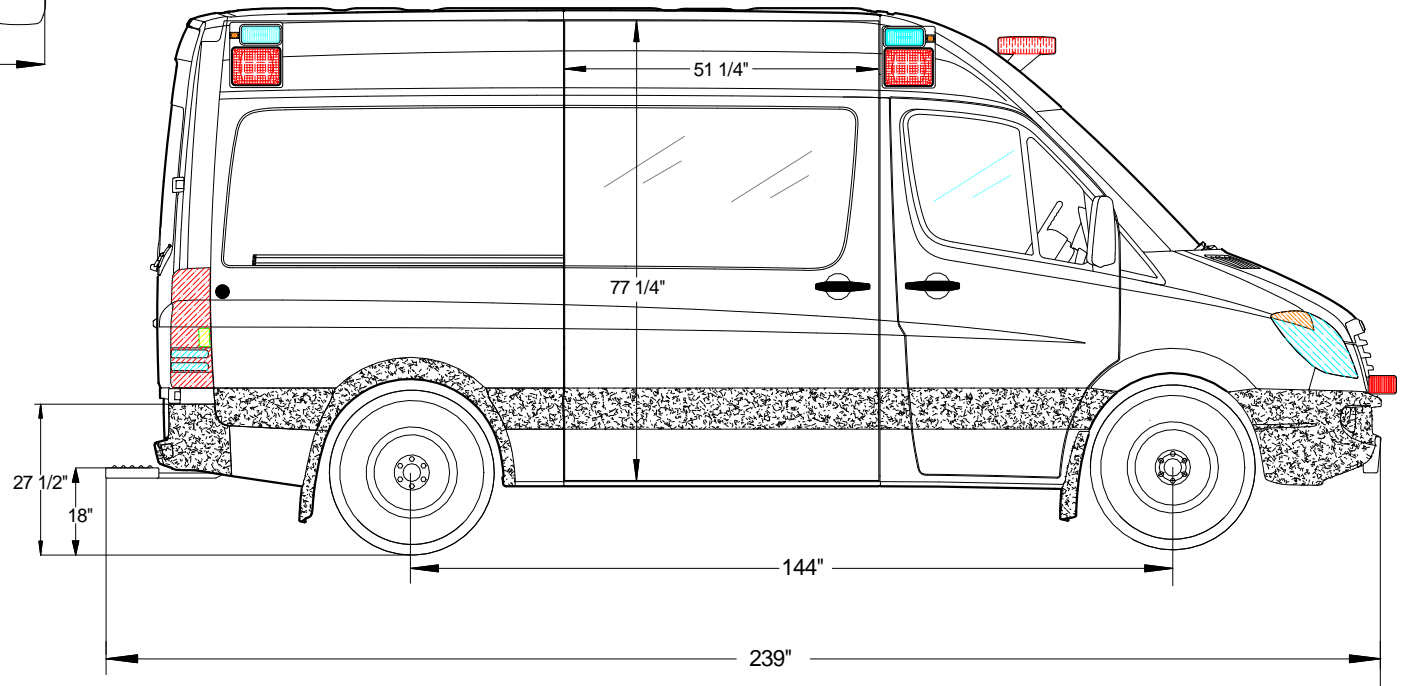
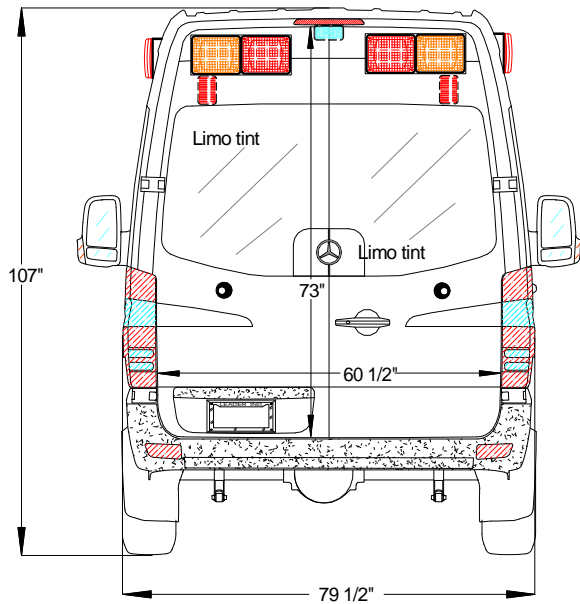
Note: All dimensions are approximate and subject to change.



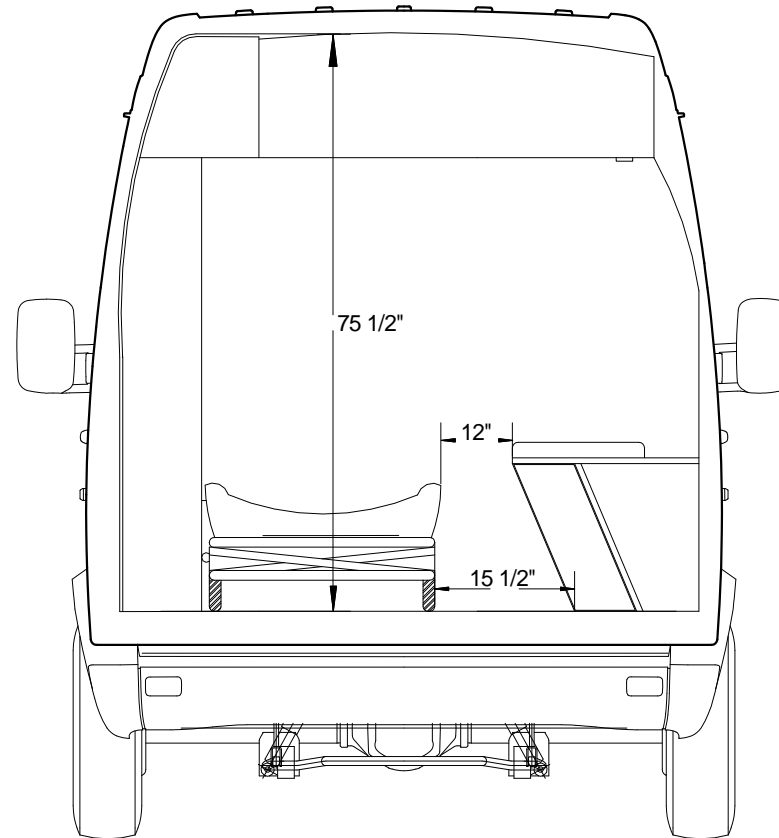
Note: All dimensions are approximate and subject to change.



Note: All dimensions are approximate and subject to change.



Note: All dimensions are approximate and subject to change.

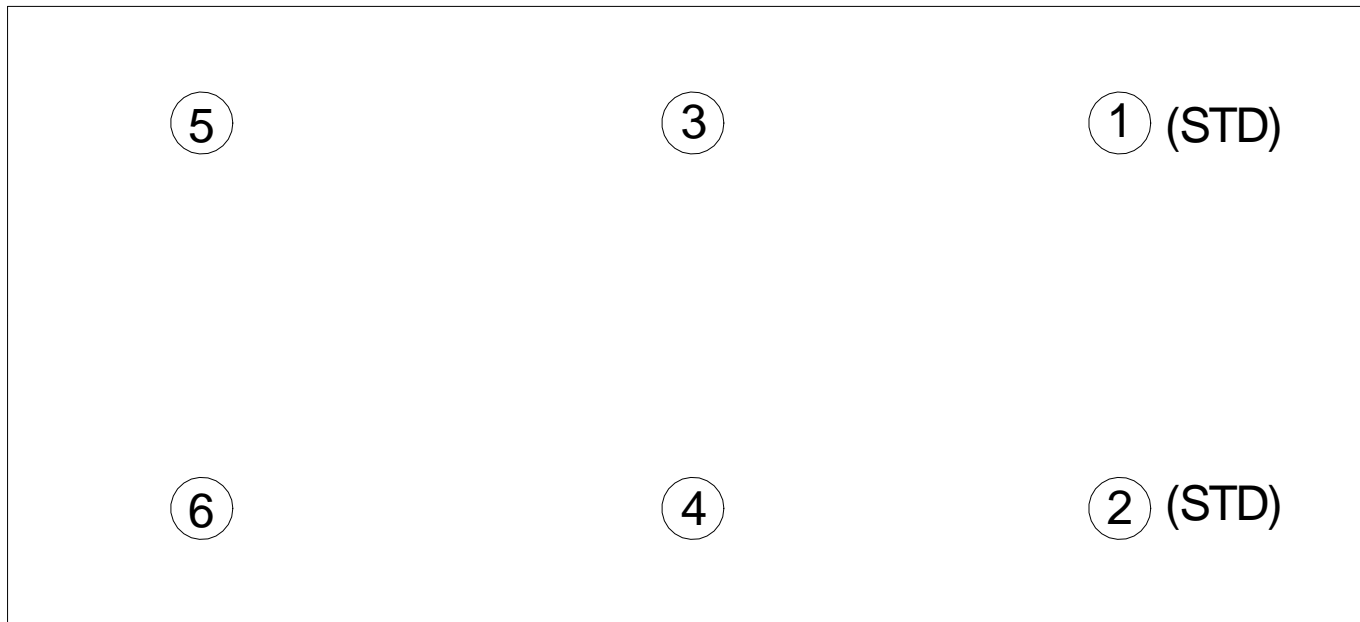


Note: All dimensions are approximate and subject to change.

Antenna acces behind dome lights  
(6) Dome lights

REAR

FRONT



Terminates

- 1) Behind driver seat
- 2) Behind driver seat
- 3) \_\_\_\_\_
- 4) \_\_\_\_\_
- 5) \_\_\_\_\_
- 6) \_\_\_\_\_

Note: All dimensions are approximate and subject to change.