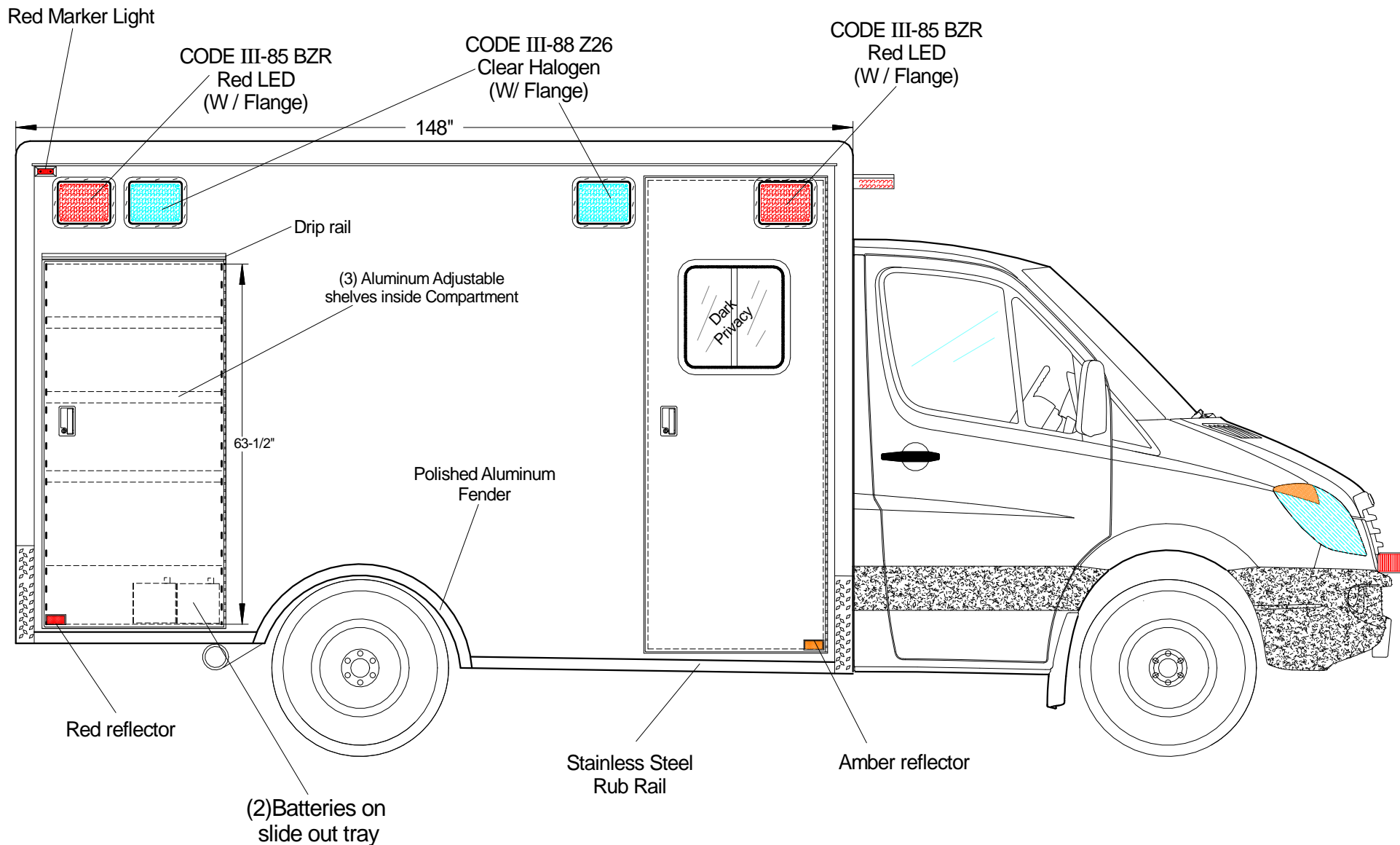


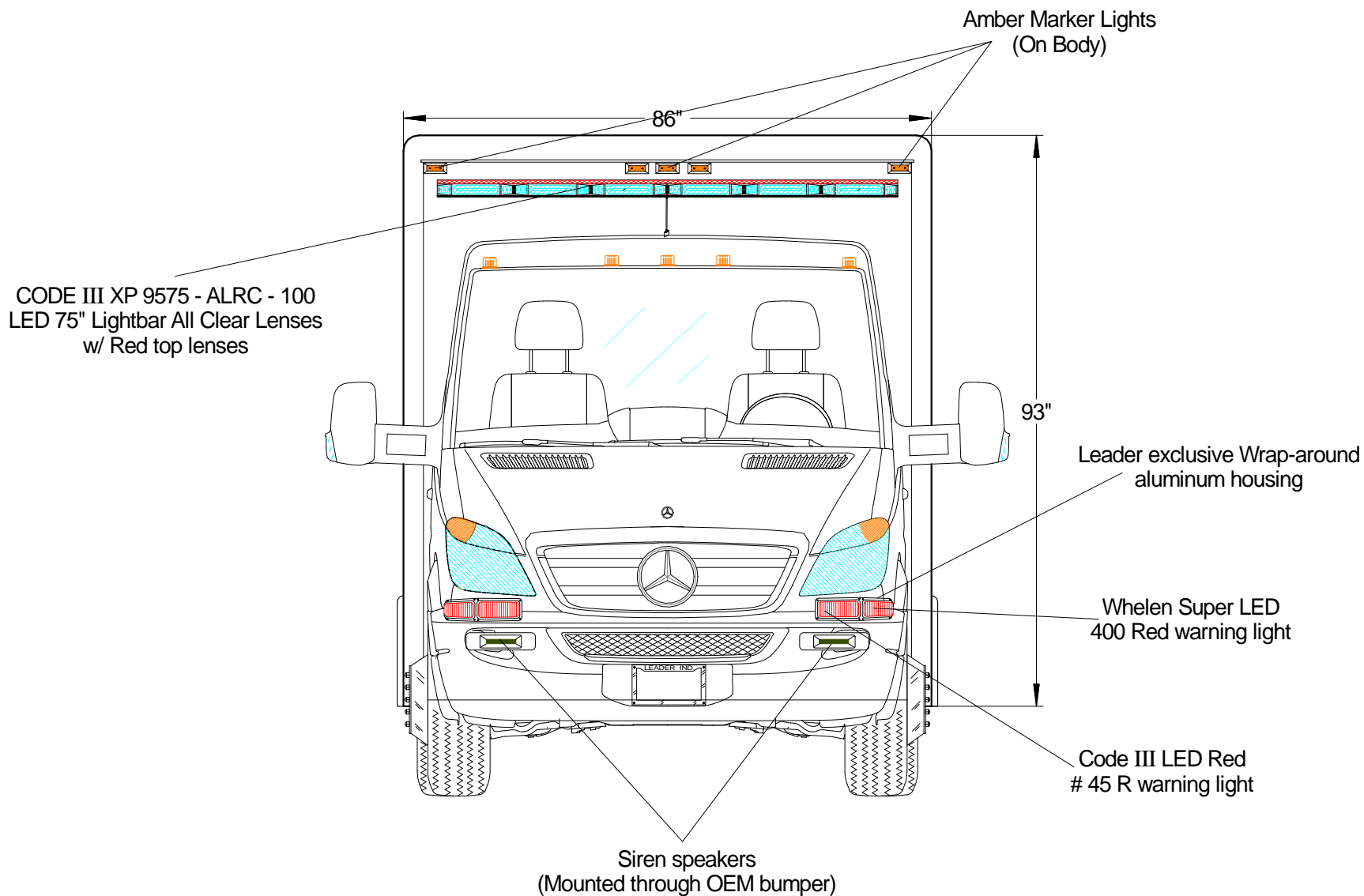
Note: All dimensions are approximate and subject to change.

10941 Weaver Ave., So. El Monte, CA 91733 phone. (626) 575-0880



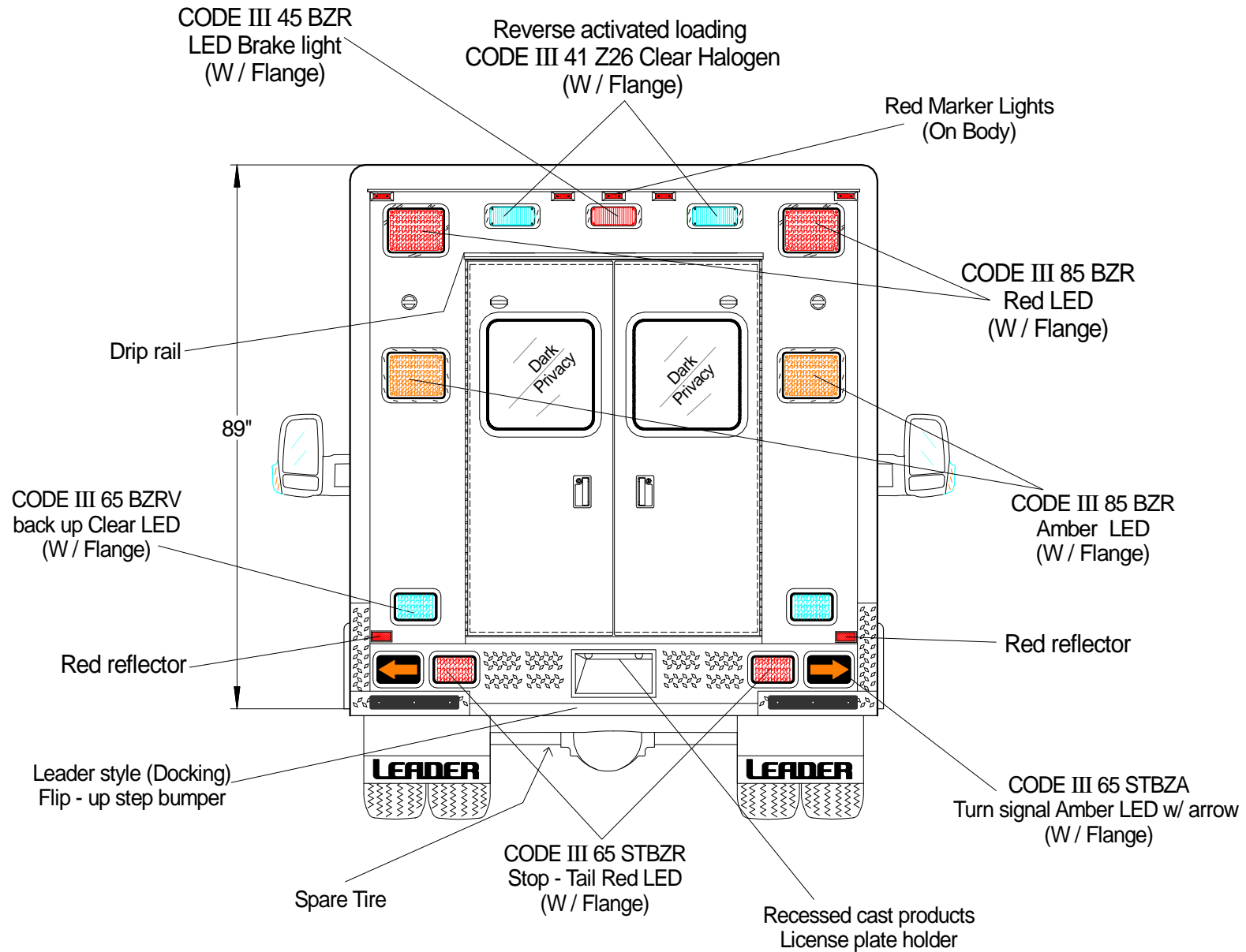
Note: All dimensions are approximate and subject to change.

10941 Weaver Ave., So. El Monte, CA 91733 phone. (626) 575-0880



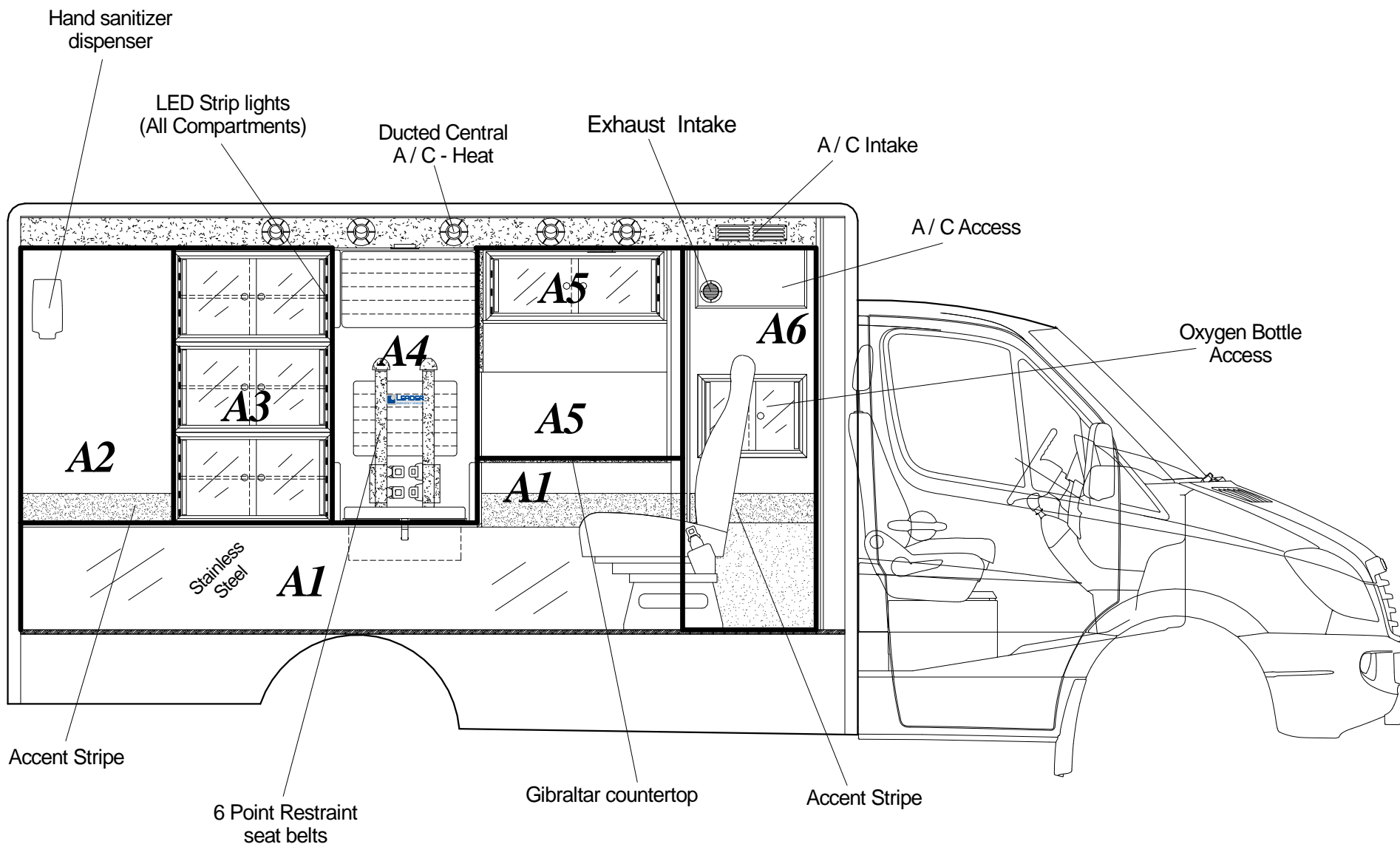
Note: All dimensions are approximate and subject to change.

10941 Weaver Ave., So. El Monte, CA 91733 phone. (626) 575-0880



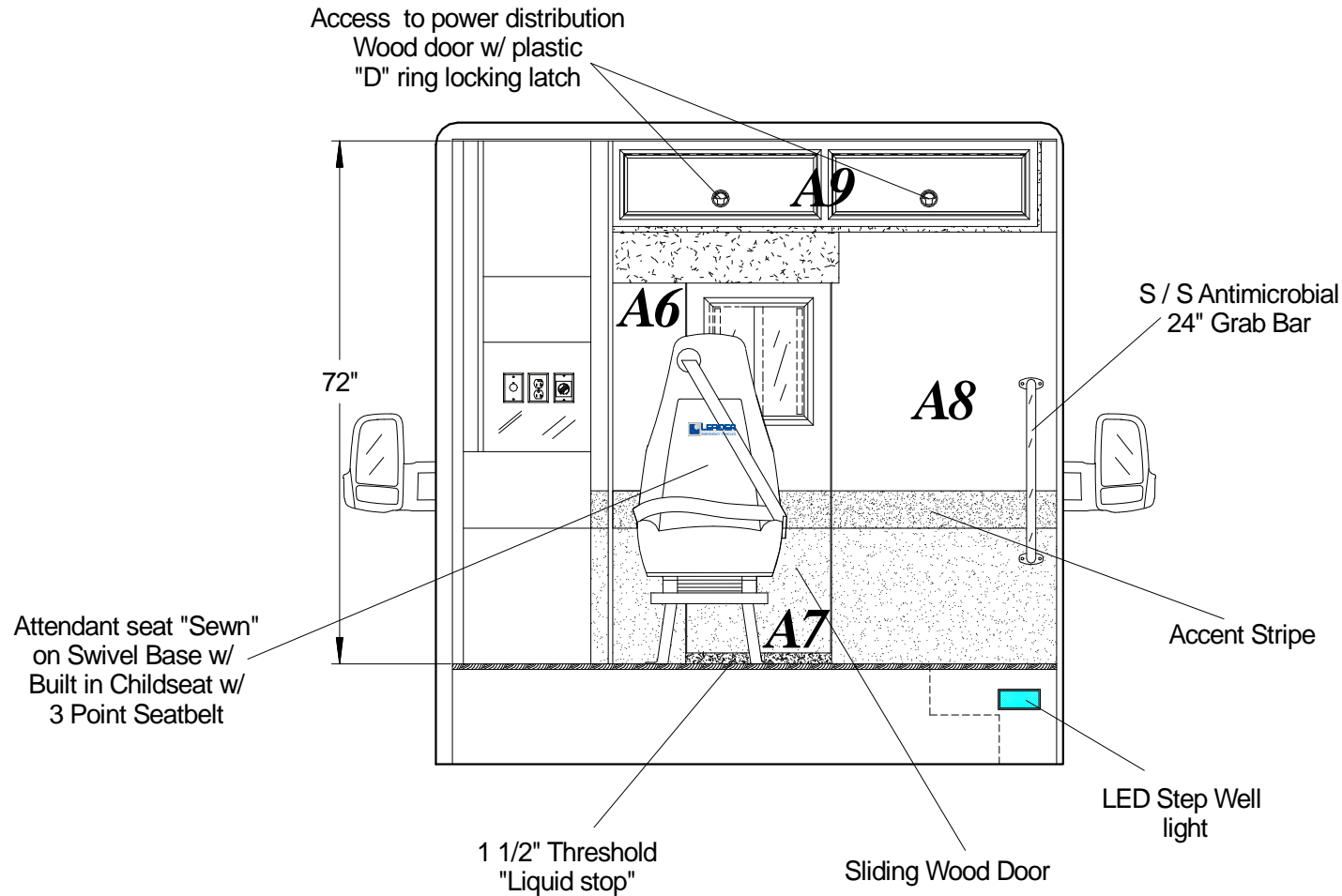
Note: All dimensions are approximate and subject to change.

10941 Weaver Ave., So. El Monte, CA 91733 phone. (626) 575-0880



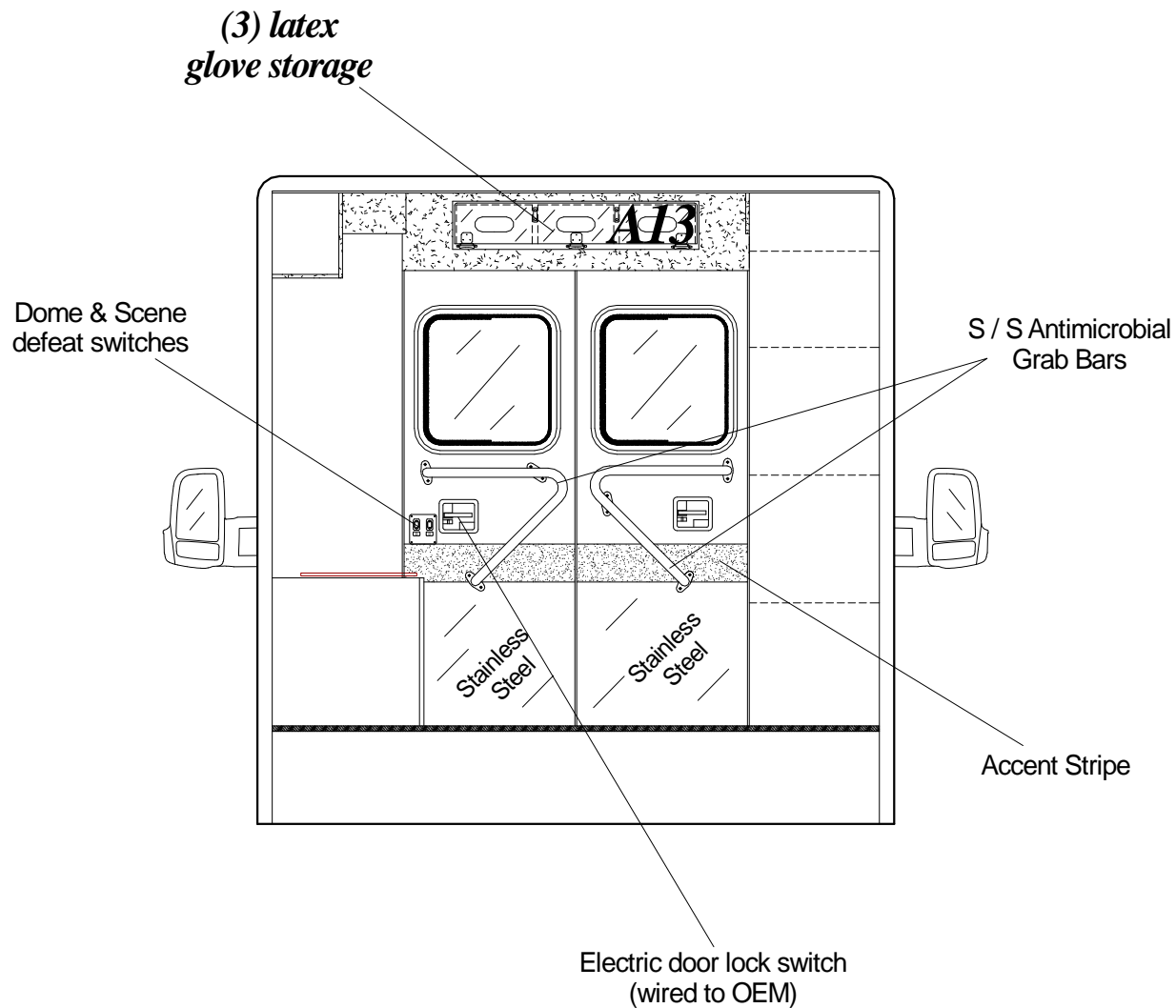
Note: All dimensions are approximate and subject to change.

10941 Weaver Ave., So. El Monte, CA 91733 phone. (626) 575-0880



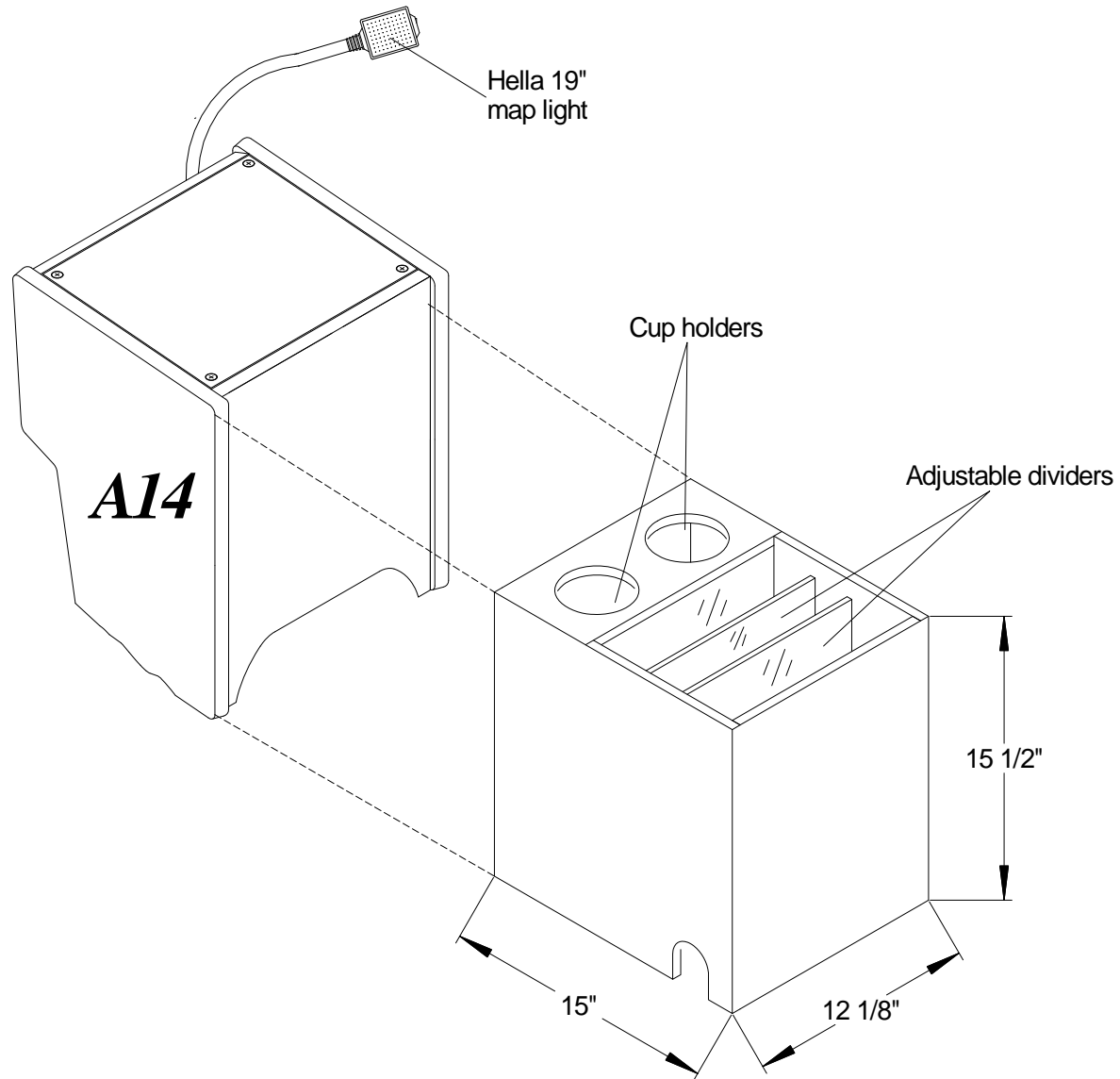
Note: All dimensions are approximate and subject to change.

10941 Weaver Ave., So. El Monte, CA 91733 phone. (626) 575-0880



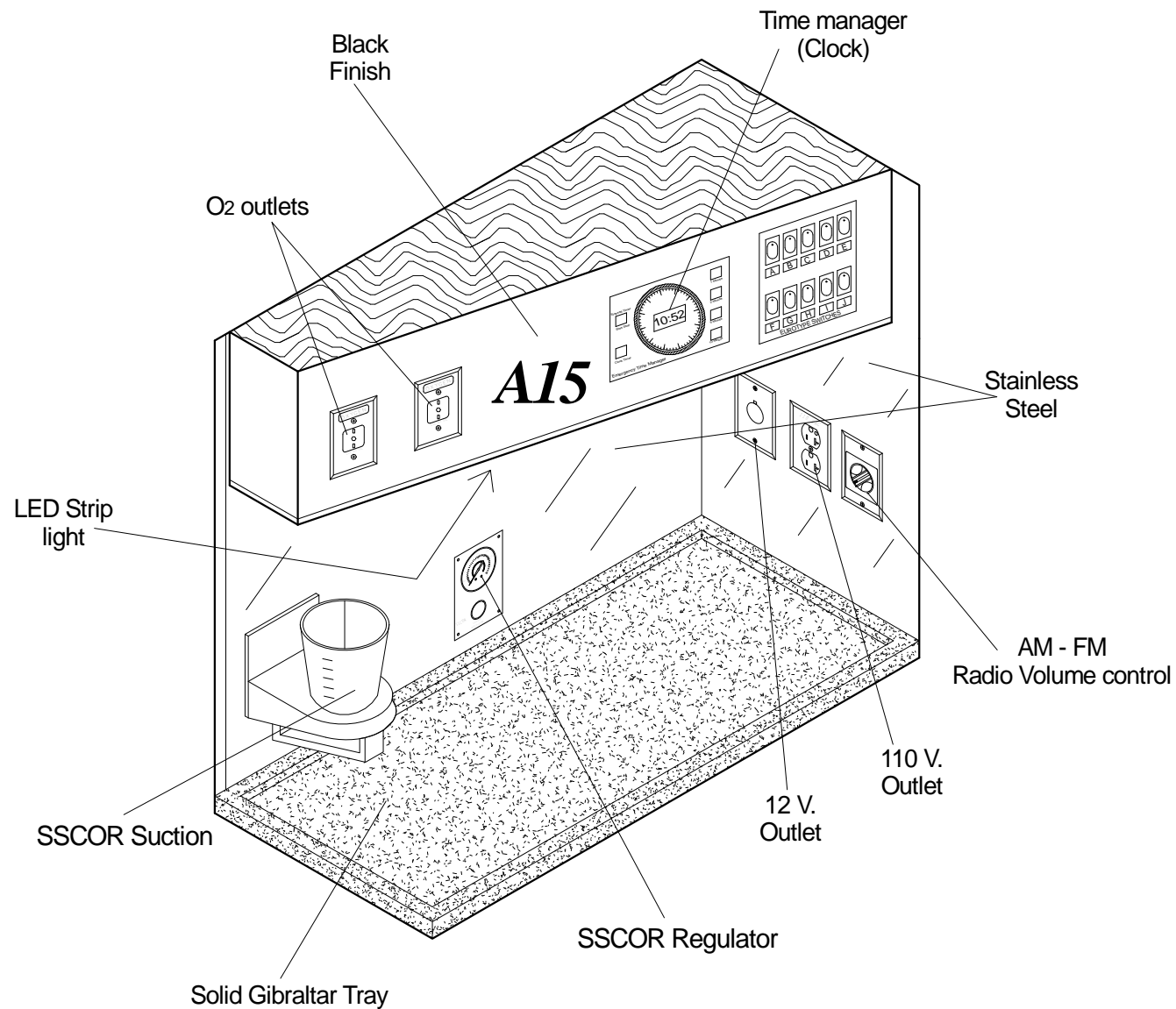
Note: All dimensions are approximate and subject to change.

10941 Weaver Ave., So. El Monte, CA 91733 phone. (626) 575-0880



Note: All dimensions are approximate and subject to change.

10941 Weaver Ave., So. El Monte, CA 91733 phone. (626) 575-0880



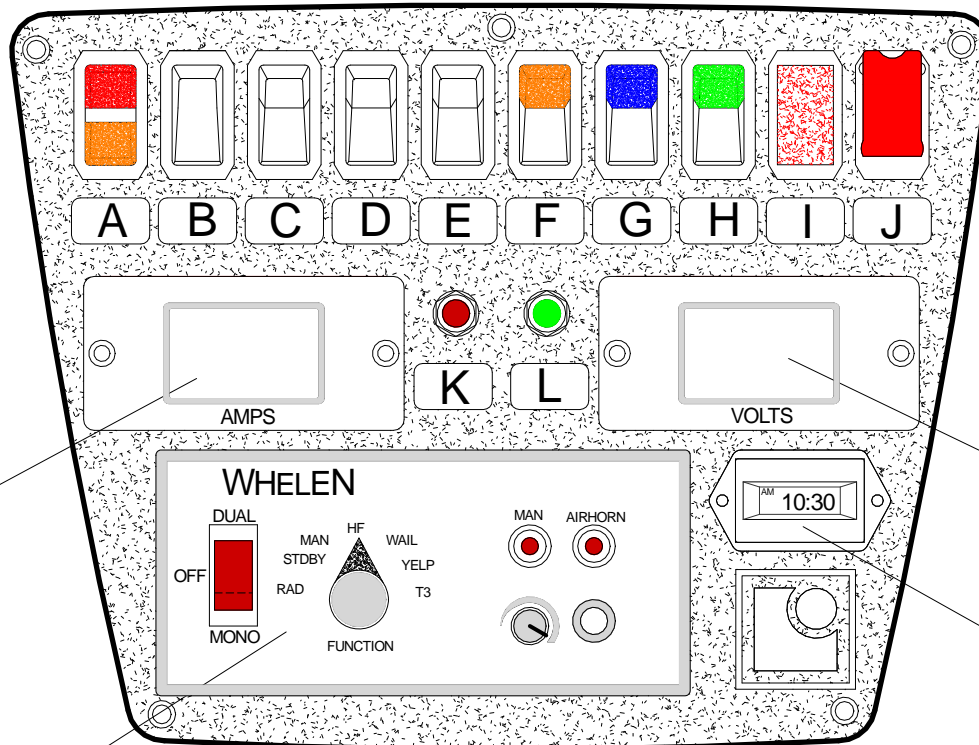
- A= DOME ON 3-WAY - LIT AMBER LED
- B= DOME HI/LO - ON / ON (NON LIT)
- C= DOME BLUE - LIT BLUE LED
- D= EXHAUST VENT - LIT AMBER LED
- E= ELECT. SUCTION - LIT AMBER LED
- F= A/C ON 3-WAY - LIT BLUE LED
- G= A/C FAN HI/LO - (NON LIT)
- H= A/C HEAT/COOL - (NON LIT)
- I= COMPARTMENTS LIGHTS- LIT WHITE LED
- J= BLANK

Note: All dimensions are approximate and subject to change.

10941 Weaver Ave., So. El Monte, CA 91733 phone. (626) 575-0880

- A. PRI-SEC - LIT RED / AMBER LED
- B. BACK UP ALARM - (NON LIT)
MOMENTARY ON
- C. LEFT SCENE - LIT WHITE LED
- D. REAR SCENE - LIT WHITE LED
- E. RIGHT SCENE - LIT WHITE LED
- F. PATIENT DOME 3 - WAY - LIT AMBER LED
- G. PATIENT A/C HEAT 3 - WAY - LIT BLUE LED
- H. MODULE DISCONNECT - LIT GREEN LED
- I. DOOR OPEN INDICATOR LIGHT - LIT RED
ROCKER SWITCH PLUG STYLE
- J. EMERGENCY START (NON LIT)
WITH RED SWITCH GAURD

- K. INDICATOR LIGHT - LIT RED LED
EMERGENCY START
- L. INDICATOR LIGHT - LIT GREEN LED
MASTER ON



Digital Amp. Meter

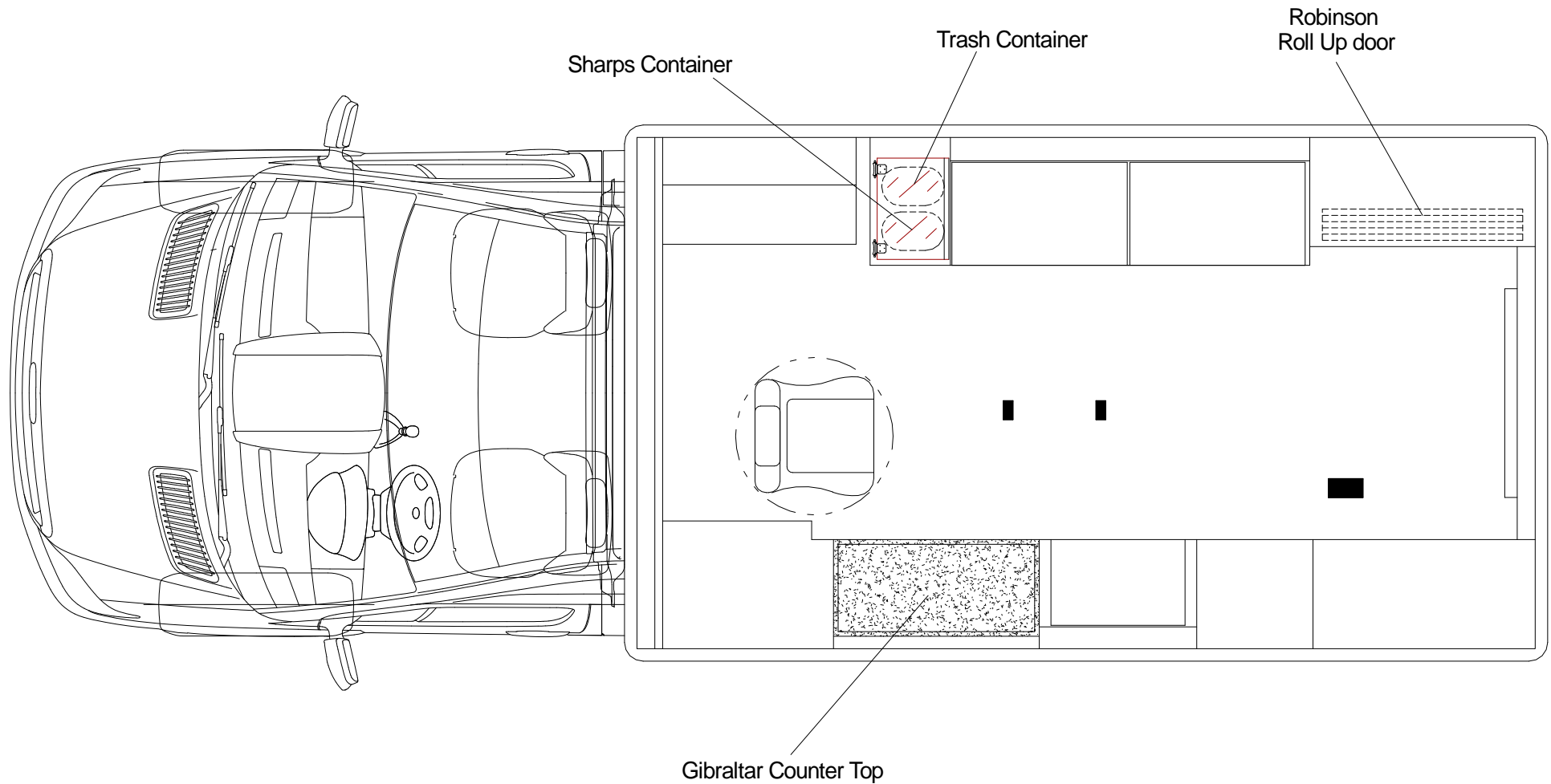
Digital Volt Meter

Hour Meter

Whelen (Dual Mode) Remote Amp.
Siren # 295HFSA7 (W / Mic)

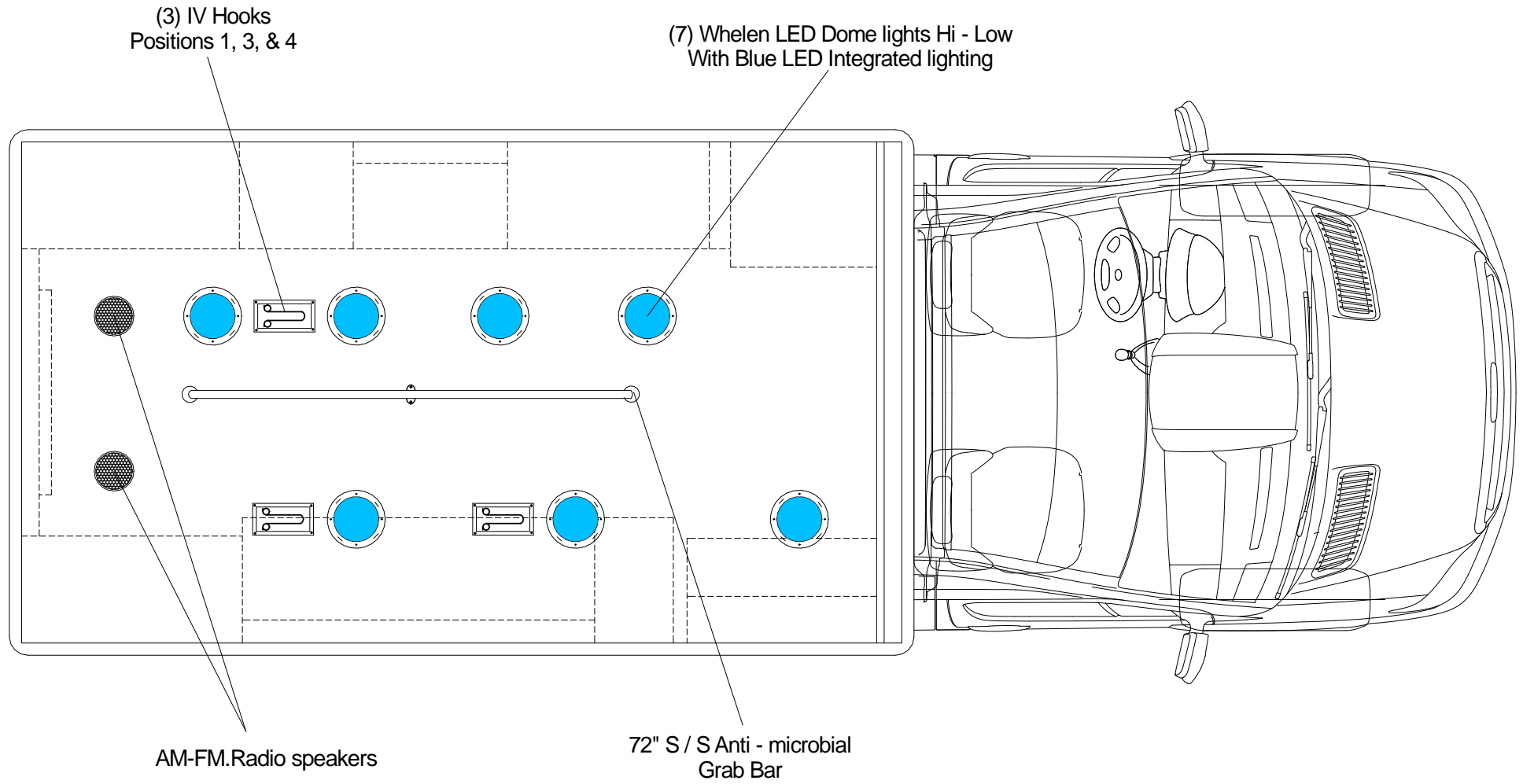
Note: All dimensions are approximate and subject to change.

10941 Weaver Ave., So. El Monte, CA 91733 phone. (626) 575-0880



Note: All dimensions are approximate and subject to change.

10941 Weaver Ave., So. El Monte, CA 91733 phone. (626) 575-0880



Note: All dimensions are approximate and subject to change.

10941 Weaver Ave., So. El Monte, CA 91733 phone. (626) 575-0880