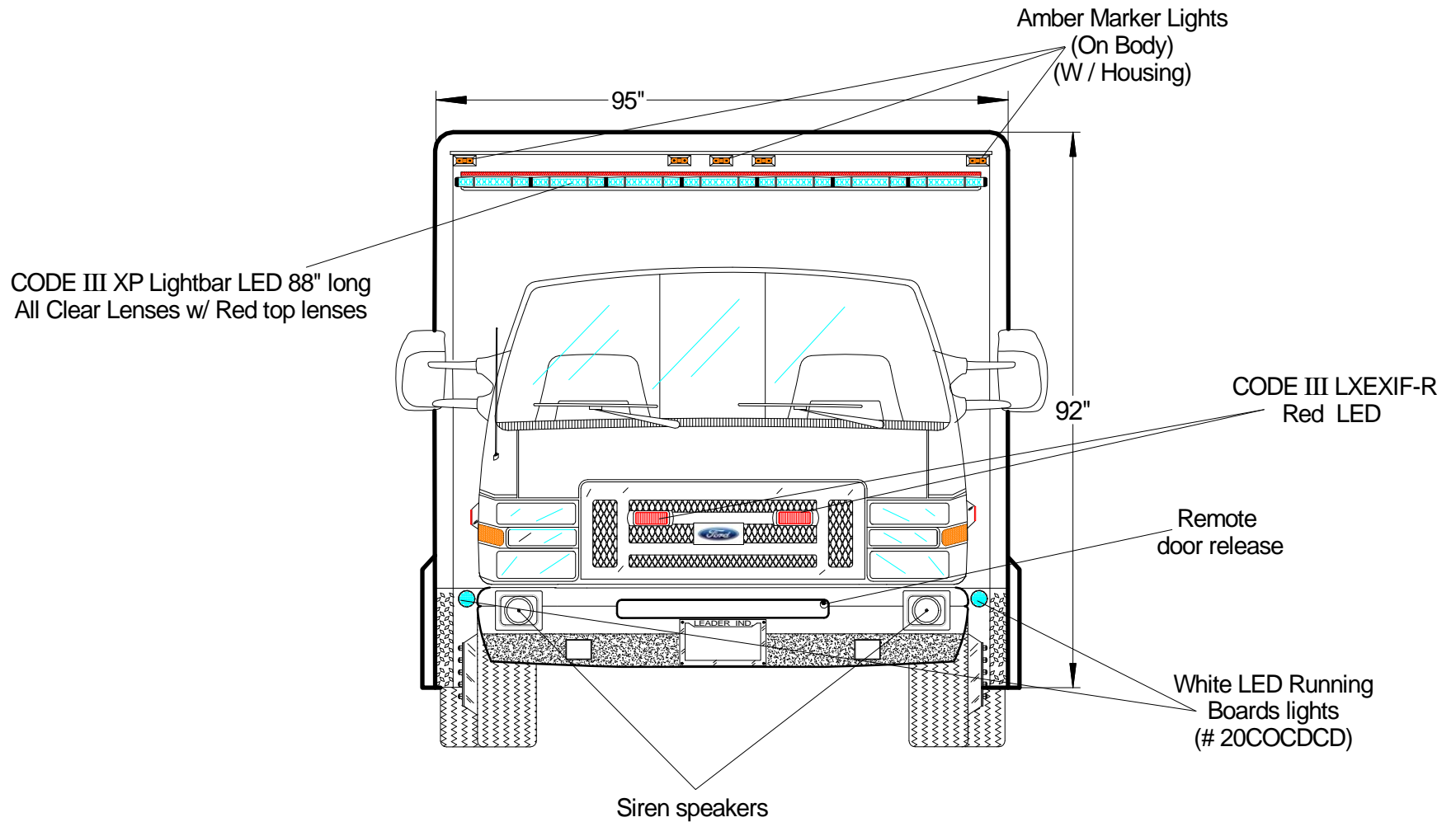
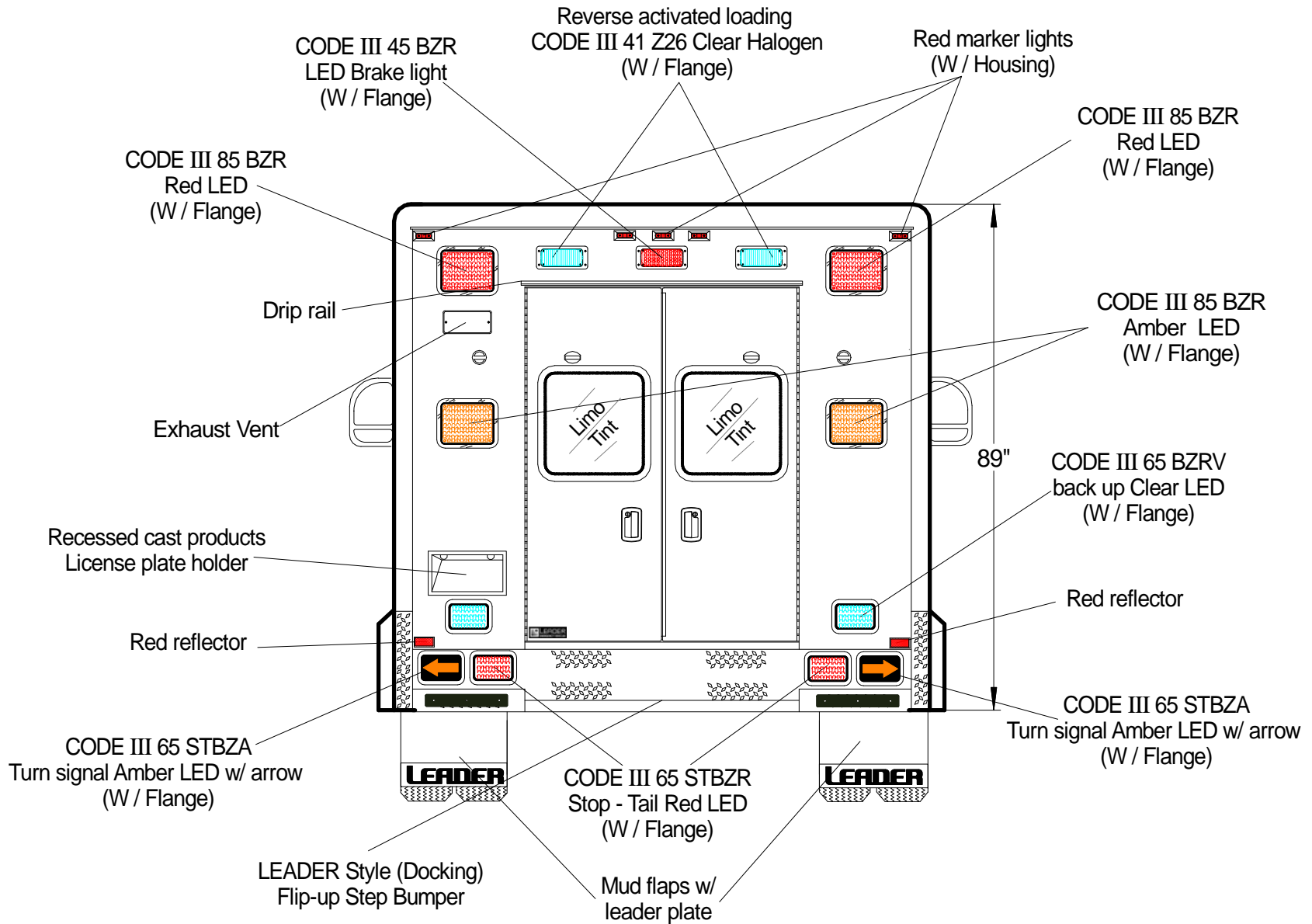


COMPT	INSIDE WIDTH	INSIDE HEIGHT	INSIDE DEPTH	CLEAR OPENING WIDTH	CLEAR OPENING HEIGHT
M1	22	73.875	20.375	18.25	68.125
M2	46.625	32.375	20.375	45.25	29.375
M3	30.375	59.25	12.375	25	58.5

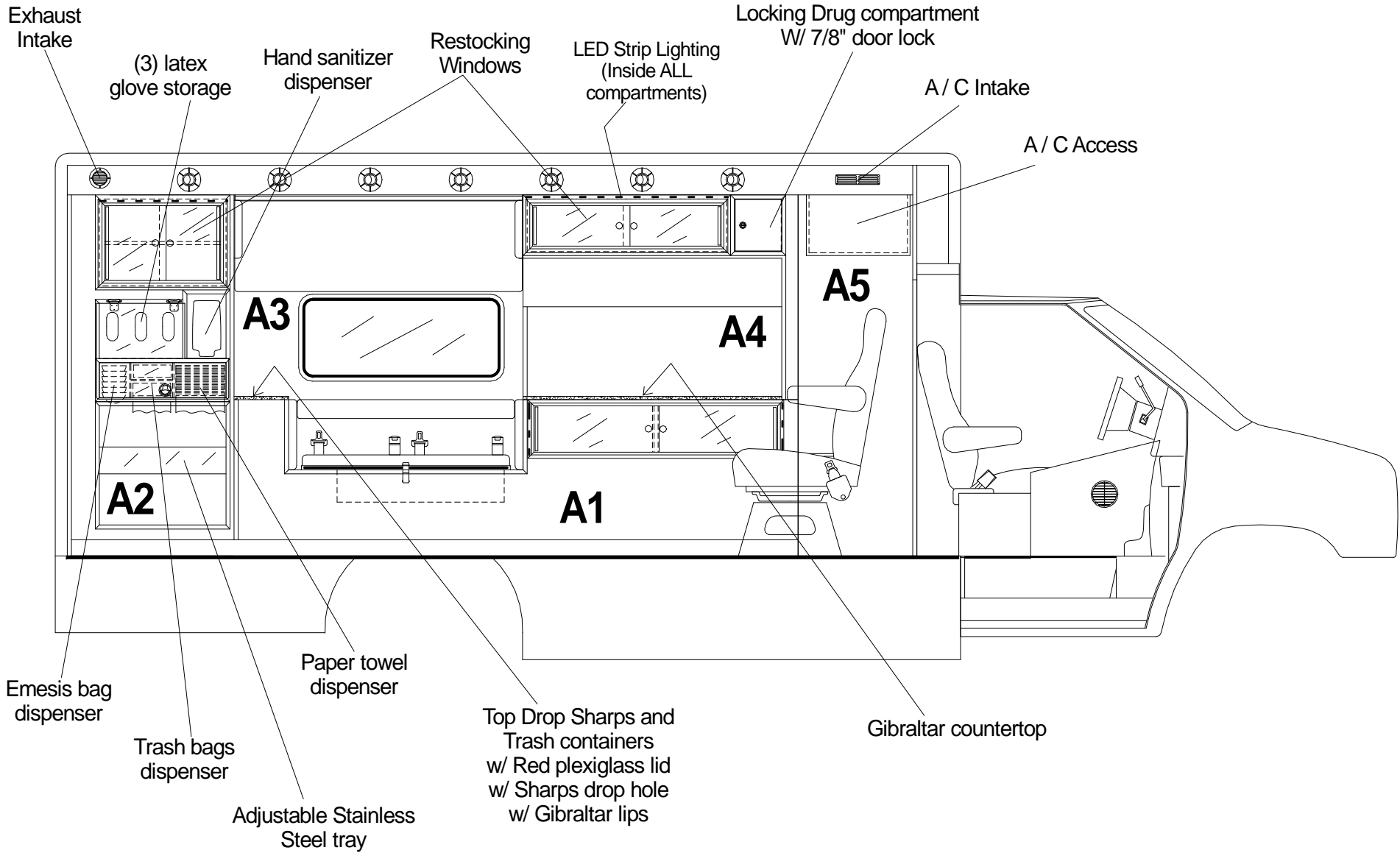
Note: All dimensions are approximate and subject to change.



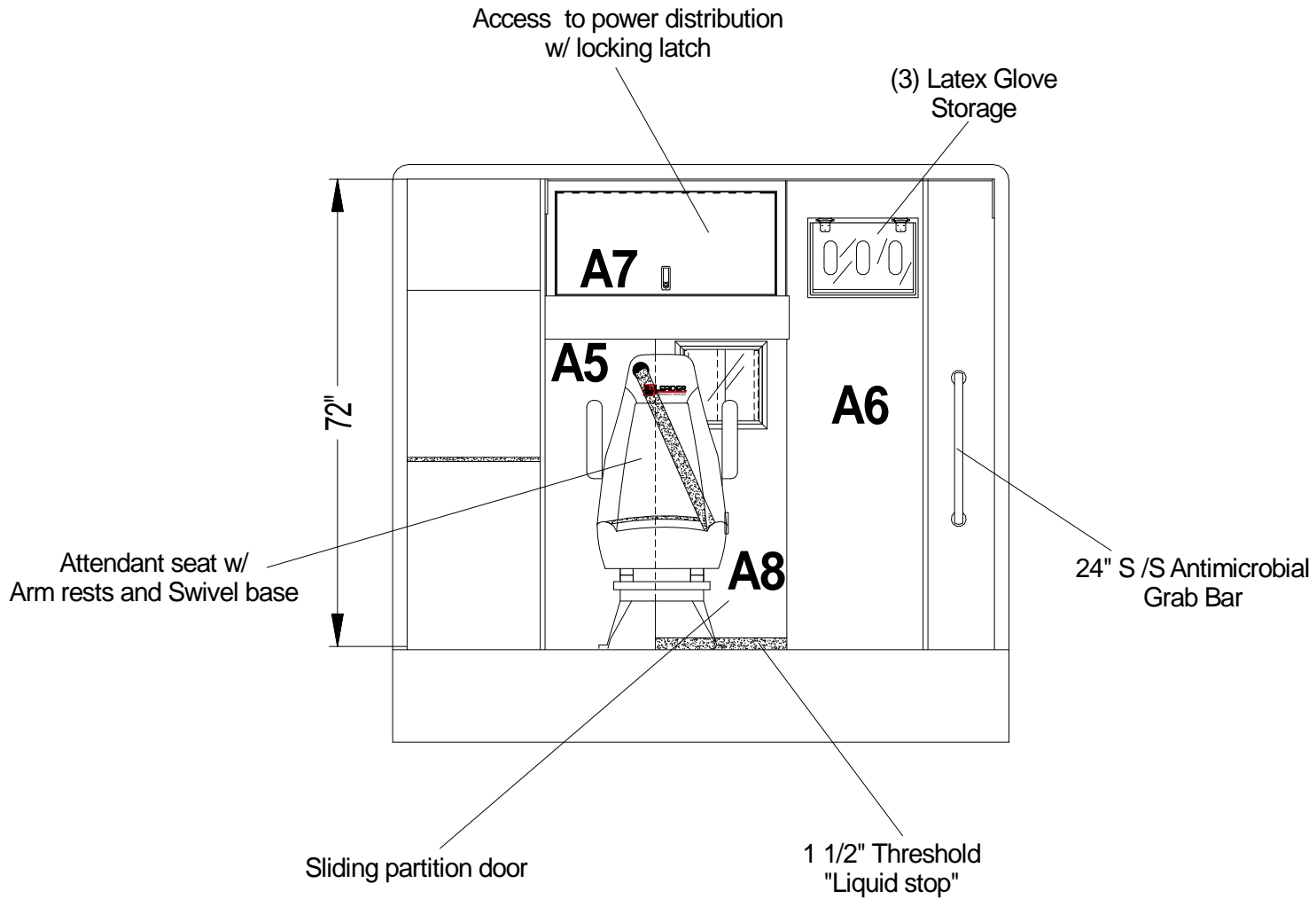
Note: All dimensions are approximate and subject to change.



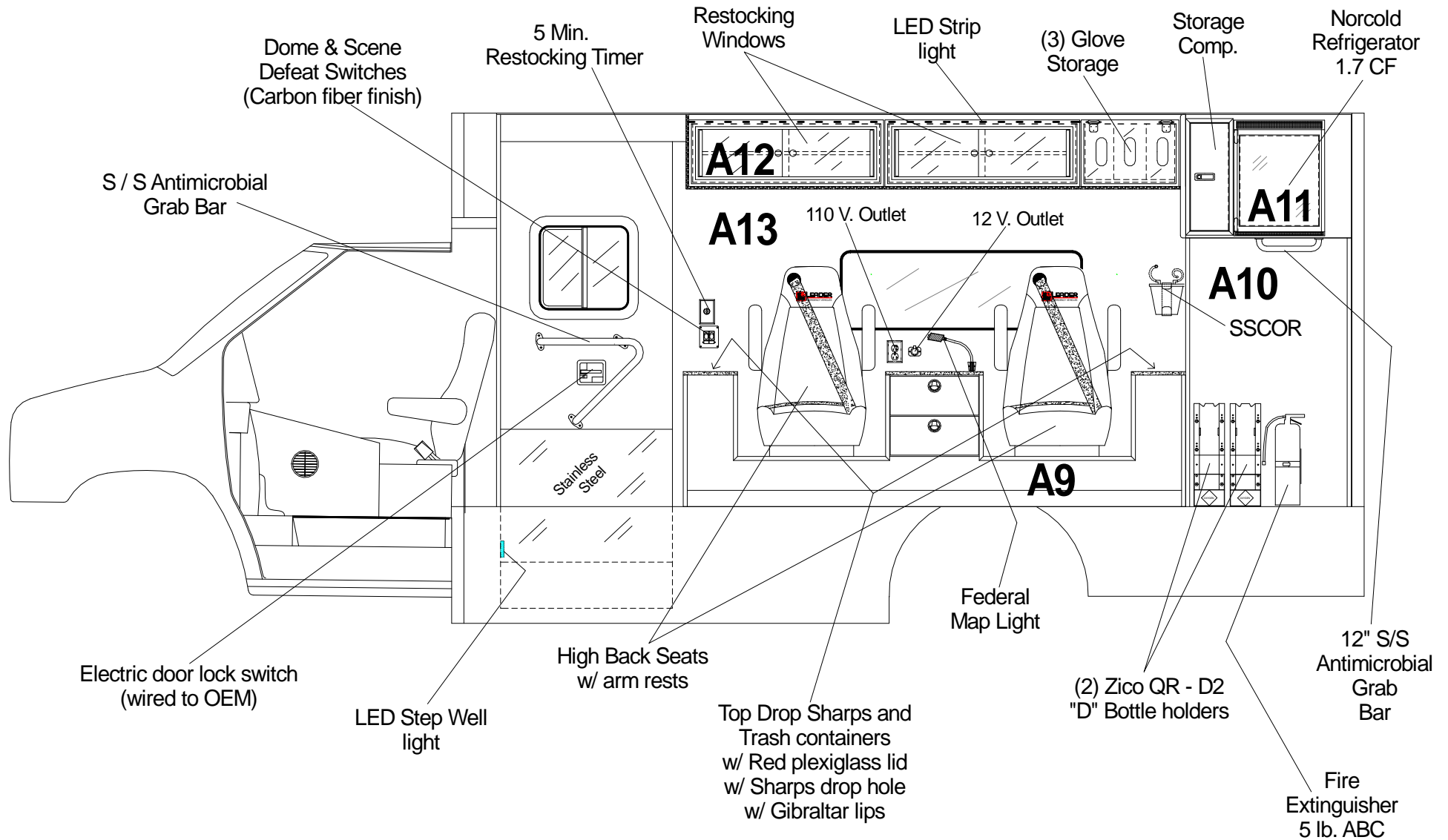
Note: All dimensions are approximate and subject to change.



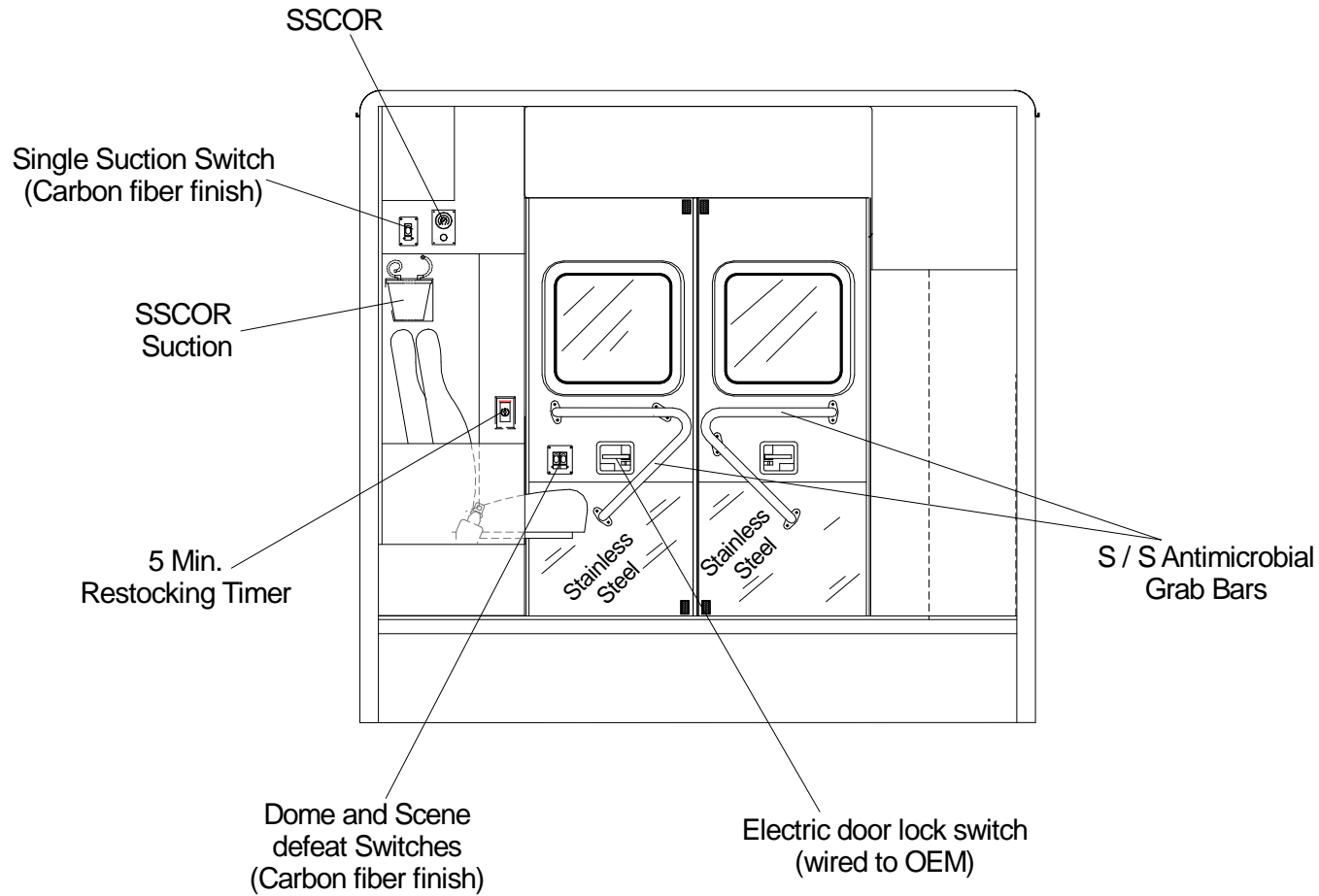
Note: All dimensions are approximate and subject to change.



Note: All dimensions are approximate and subject to change.



Note: All dimensions are approximate and subject to change.



Note: All dimensions are approximate and subject to change.

5" Flat Surface
for MDT Bracket

Customer Radio
Location

A14

Cup holders

Vent

14 3/4"

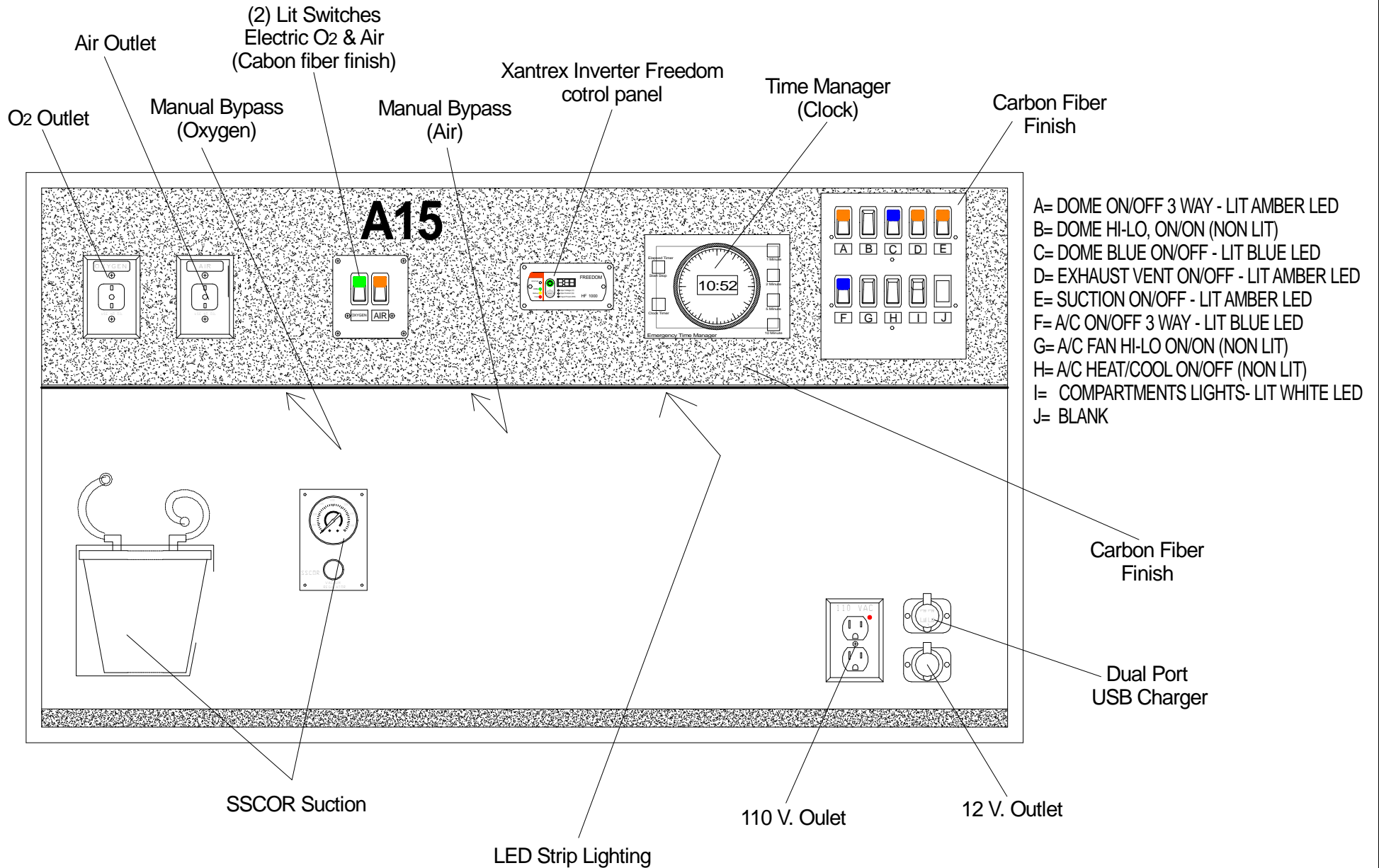
10-3/4"

Adjustable open
map box slots

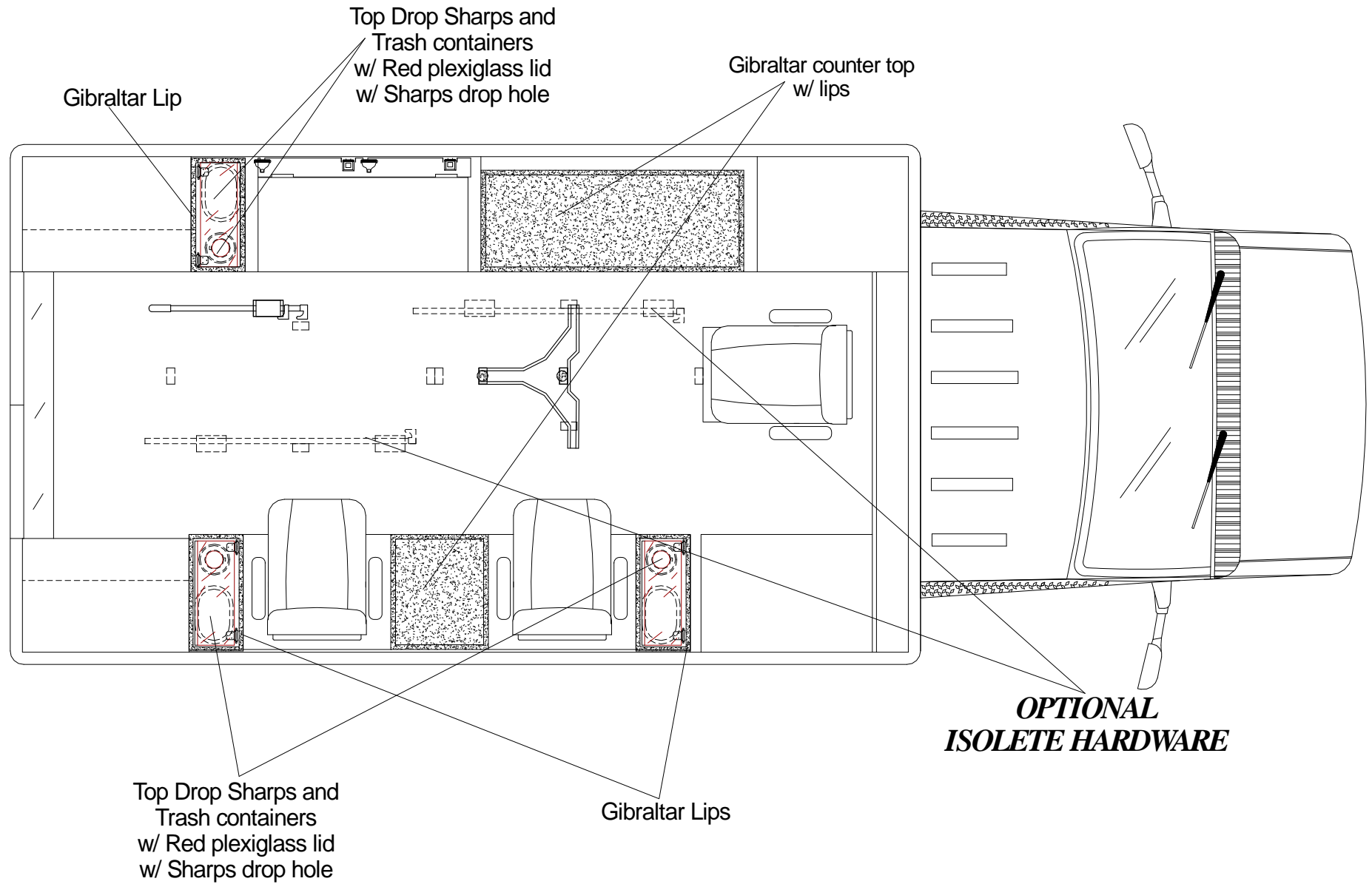
12 V.
Outlet

(2) Dual Port
USB Chargers

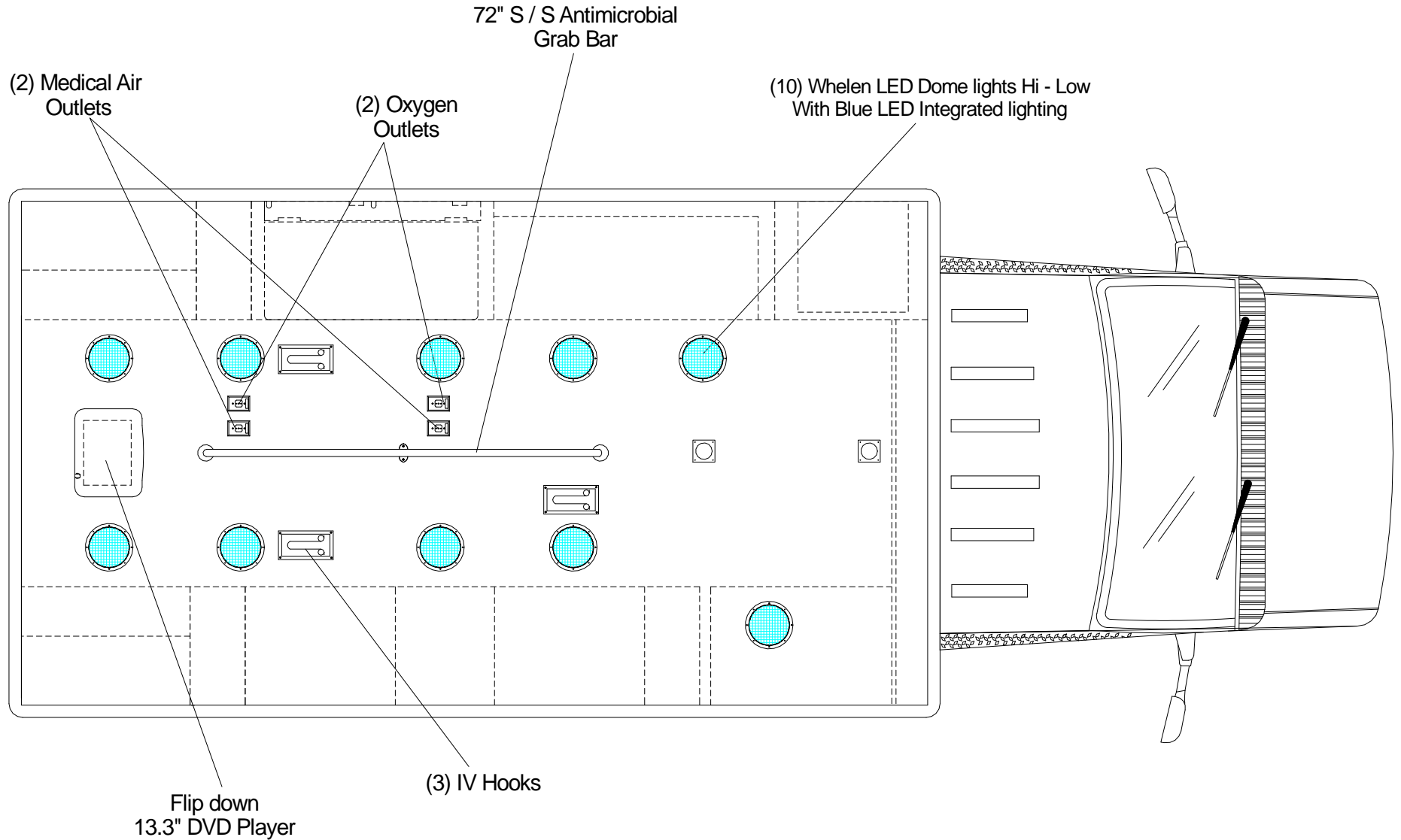
Note: All dimensions are approximate and subject to change.



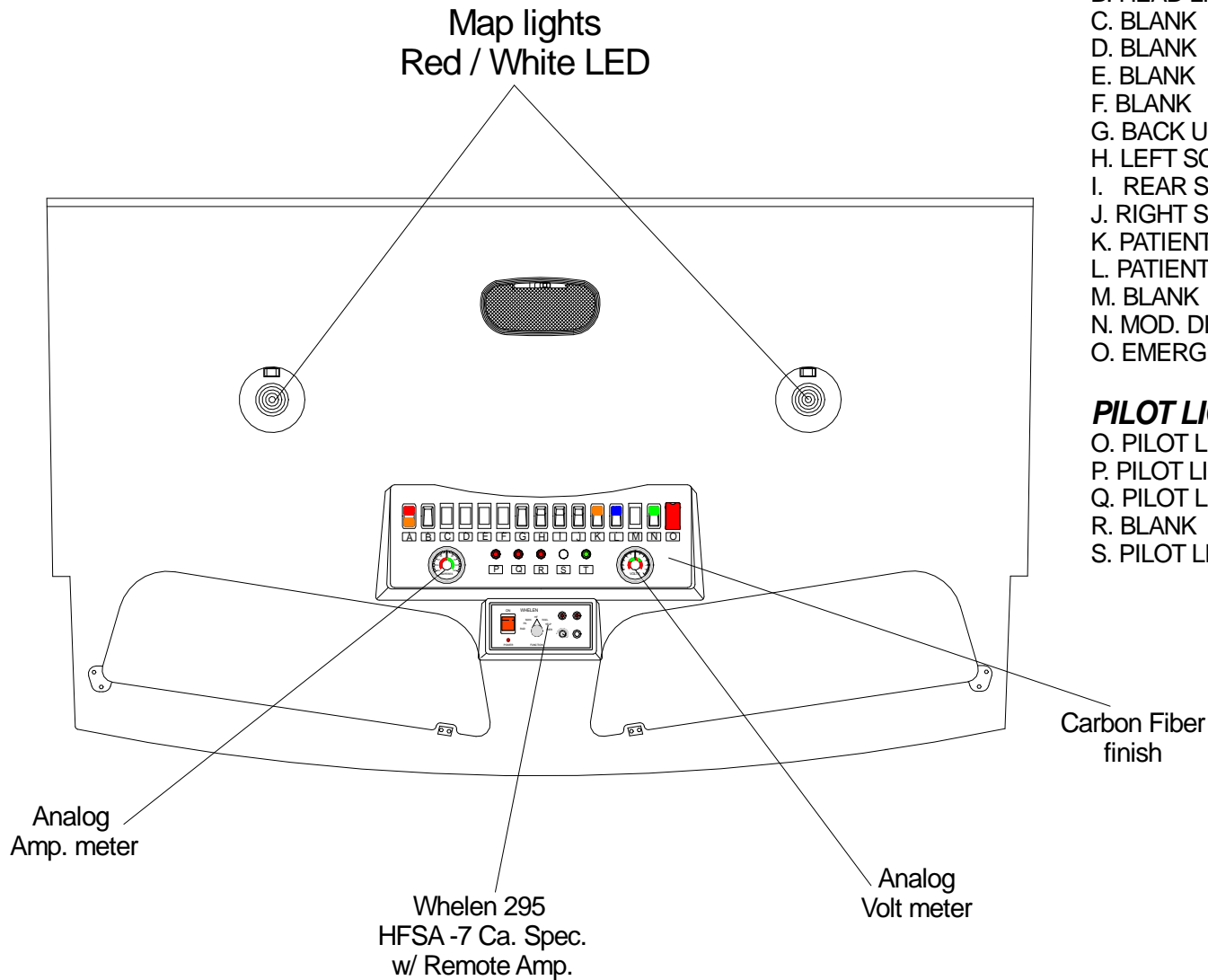
Note: All dimensions are approximate and subject to change.



Note: All dimensions are approximate and subject to change.



Note: All dimensions are approximate and subject to change.



SWITCHES

- A. PRI- SEC- LIT RED/ AMBER LED
- B. HEAD LIGHT FLASER -LIT CLEAR LED
- C. BLANK
- D. BLANK
- E. BLANK
- F. BLANK
- G. BACK UP ALARM-RESET TYPE-MOM. ON (NON LIT)
- H. LEFT SCENE WHITE LIT LED
- I. REAR SCENE WHITE LIT LED
- J. RIGHT SCENE WHITE LIT LED
- K. PATIENT DOME 3-WAY - LIT AMBER LED
- L. PATIENT A/C HEAT 3-WAY - LIT BLUE LED
- M. BLANK
- N. MOD. DISCONNECT - GREEN LIT LED
- O. EMERGENCY START,ON-OFF GUARDED (NON LIT)

PILOT LIGHTS

- O. PILOT LIGHT - PARKING BRAKE RED LED
- P. PILOT LIGHT - DOOR OPEN RED LED
- Q. PILOT LIGHT - EMERGENCY START RED LED
- R. BLANK
- S. PILOT LIGHT - MASTER ON GREEN LED

Note: All dimensions are approximate and subject to change.